

Panel mounting appliance inlet angled - TN - flange 130x120 fixing centers 108x100



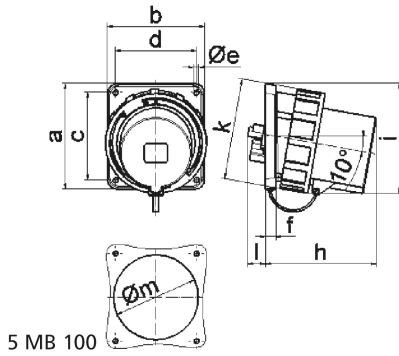
Product description	
BALS-Prd.-Nr	27270
EAN	4024941272704
Product category	TN panel mounting appliance inlet, angled
Current	125A
Number of poles	4p
Arrangement of phases	3P+PE
Position of earth contact	6 h
Voltage	380 - 415V~

Product description	
Frequency	50/60Hz
VG-type-no.:	VG 96919 BP 033
Protection degree	IP67
Colour code	bronze-green RAL 6031-F9
Colour of appliance	Bayonet ring bronze-green RAL 6031-F9, Collar bronze-green RAL 6031-F9, Enclosure bronze-green RAL 6031-F9
Connection design	screw terminal as box terminal
Maximum conductor size	50.0 qmm
Cable entry	other
Height	138mm
Width	125mm
Depth	159mm
Flange size vertical in mm	130mm
Flange size horizontal in mm	120mm
Drill hole dist. vertical mm	108mm
Drill hole dist. horizontal mm	100mm
Material of enclosure	Polyamide
Contacts	the contact carrier is made of high temperature resistant material, the contacts are brass nickel plated

Additional technical information	
	The inclination is 10°

Additional technical information	
	With closure cap

Logistics data	
Weight/pcs	0.0 kg / Piece
Packaging	Bag
Content amount	1 ST
EAN	4024941272704
Length	159 mm
Width	125 mm
Height	138 mm
Weight	0.001 kg
Volume	2,742.75 ccm
Packaging	Carton
Content amount	5 ST
EAN	4024941839488
Length	330 mm
Width	216 mm
Height	260 mm
Weight	0.226 kg
Volume	17,062.5 ccm



Ampere	63	63	63	125	125	125
Polzahl	3	4	5	3	4	5
a	107,0	107,0	107,0	130,0	130,0	130,0
b	100,0	100,0	100,0	120,0	120,0	120,0
c	85,0	85,0	85,0	108,0	108,0	108,0
d	77,0	77,0	77,0	100,0	100,0	100,0
e ø	6,5	6,5	6,5	6,5	6,5	6,5
f	12,0	12,0	12,0	13,0	13,0	13,0
h	142,0	142,0	142,0	134,0	134,0	134,0
i	124,0	124,0	124,0	138,0	138,0	138,0
k	113,5	113,5	113,5	126,0	126,0	126,0
l	---	---	---	23,0	23,0	23,0
m ø	---	---	---	105,0	105,0	105,0
Leiter mm ² min	6,0	6,0	6,0	16,0	16,0	16,0
Leiter mm ² max	16,0	16,0	16,0	50,0	50,0	50,0