

## Panel mounting appliance inlet angled - TN - flange 107x100 fixing centers 85x77



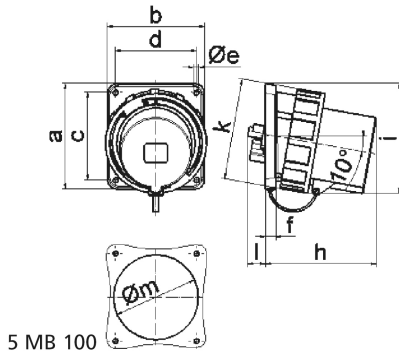
Product description	
BALS-Prd.-Nr	27296
EAN	4024941272964
Product category	TN panel mounting appliance inlet, angled
Current	63A
Number of poles	4p
Arrangement of phases	3P+PE
Position of earth contact	9 h
Voltage	200 - 250V~

Product description	
Frequency	50/60Hz
VG-type-no.:	VG 96919 BP 030
Protection degree	IP67
Colour code	bronze-green RAL 6031-F9
Colour of appliance	Bayonet ring bronze-green RAL 6031-F9, Collar bronze-green RAL 6031-F9, Enclosure bronze-green RAL 6031-F9
Connection design	screw terminal as box terminal
Maximum conductor size	16,0 qmm
Cable entry	other
Height	123mm
Width	113.5mm
Depth	141mm
Flange size vertical in mm	107mm
Flange size horizontal in mm	100mm
Drill hole dist. vertical mm	85mm
Drill hole dist. horizontal mm	77mm
Material of enclosure	Polyamide
Contacts	the contact carrier is made of high temperature resistant material, the contacts are brass nickel plated

Additional technical information	
	The inclination is 10°

Additional technical information	
	With closure cap

Logistics data	
Weight/pcs	0.73 kg / Piece
Packaging	Bag
Content amount	1 ST
EAN	4024941272964
Length	141 mm
Width	113.5 mm
Height	123 mm
Weight	0.731 kg
Volume	1,968.431 ccm
Packaging	Carton
Content amount	5 ST
EAN	4024941839426
Length	325 mm
Width	217 mm
Height	210 mm
Weight	3.856 kg
Volume	13,588.4 ccm



Ampere	63	63	63	125	125	125
Polzahl	3	4	5	3	4	5
a	107,0	107,0	107,0	130,0	130,0	130,0
b	100,0	100,0	100,0	120,0	120,0	120,0
c	85,0	85,0	85,0	108,0	108,0	108,0
d	77,0	77,0	77,0	100,0	100,0	100,0
e ø	6,5	6,5	6,5	6,5	6,5	6,5
f	12,0	12,0	12,0	13,0	13,0	13,0
h	142,0	142,0	142,0	134,0	134,0	134,0
i	124,0	124,0	124,0	138,0	138,0	138,0
k	113,5	113,5	113,5	126,0	126,0	126,0
l	---	---	---	23,0	23,0	23,0
m ø	---	---	---	105,0	105,0	105,0
Leiter mm <sup>2</sup> min	6,0	6,0	6,0	16,0	16,0	16,0
Leiter mm <sup>2</sup> max	16,0	16,0	16,0	50,0	50,0	50,0