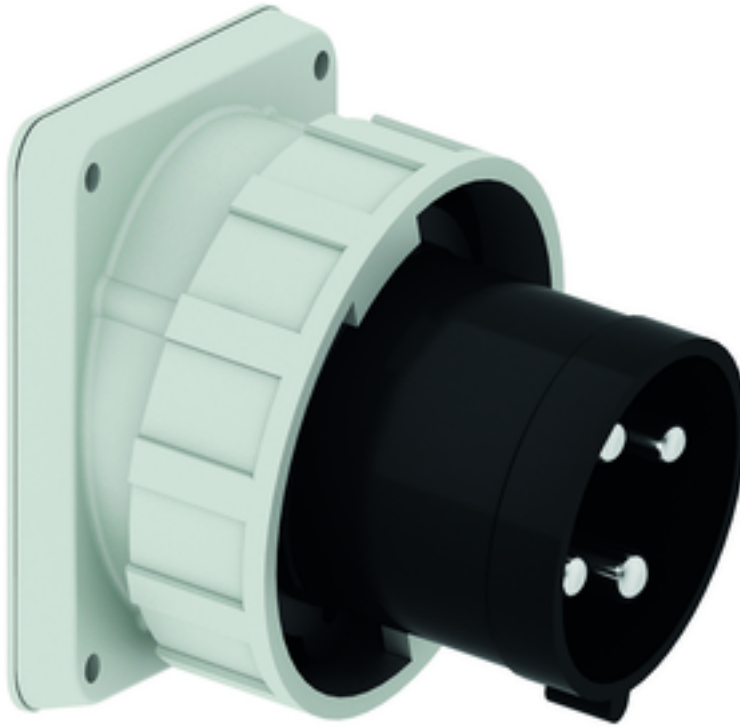


Panel mounting appliance inlet, angled - flange 130x120, fixing centers 108x100

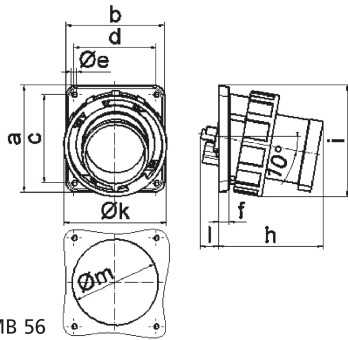


Product description	
BALS-Prd.-Nr	2741
EAN	4024941027410
Product category	TE panel mounting appliance inlet, angled
Current	125A
Number of poles	4p
Arrangement of phases	3P+PE
Position of earth contact	7 h
Voltage	480 - 500V~

Product description	
Frequency	50/60Hz
Protection degree	IP67
Colour code	black RAL 9005
Colour of appliance	Bayonet ring grey RAL 7035, Enclosure grey RAL 7035, Collar black RAL 9005
Connection design	screw terminal as box terminal
Maximum conductor size	50.0 qmm
Cable entry	other
Height	125mm
Width	136mm
Depth	150mm
Flange size vertical in mm	130mm
Flange size horizontal in mm	120mm
Drill hole dist. vertical mm	108mm
Drill hole dist. horizontal mm	100mm
Material of enclosure	Polyamide
Contacts	The contact carrier is made of high temperature resistant material, the contacts are brass nickel plated

Additional technical information	
	The inclination is 10°

Logistics data	
Weight/pcs	1.005 kg / Piece
Packaging	Bag
Content amount	1 ST
EAN	4024941027410
Length	150 mm
Width	136 mm
Height	125 mm
Weight	1.006 kg
Volume	2,550 ccm
Packaging	Carton
Content amount	5 ST
EAN	4024941959001
Length	330 mm
Width	216 mm
Height	260 mm
Weight	5.251 kg
Volume	17,062.5 ccm



5 MB 56

Ampere Polzahl	125 3	125 4	125 5			
a	130,0	130,0	130,0			
b	120,0	120,0	120,0			
c	108,0	108,0	108,0			
d	100,0	100,0	100,0			
e ø	6,5	6,5	6,5			
f	13,0	13,0	13,0			
h	130,0	130,0	130,0			
i	135,0	135,0	135,0			
k	126,0	126,0	126,0			
l	23,0	23,0	23,0			
m ø	105,0	105,0	105,0			
Leiter mm ² min	16	16	16			
Leiter mm ² max	50	50	50			