

Panel mounting appliance inlet straight - TN - flange 110x106 fixing centers 90x90

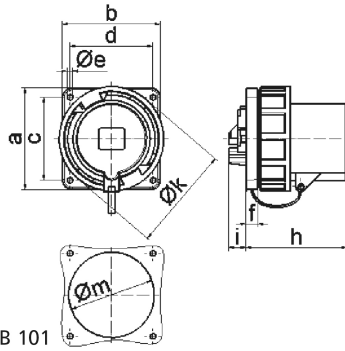


Product description	
BALS-Prd.-Nr	28042
EAN	4024941280426
Product category	TN panel mounting appliance inlet, straight
Current	63A
Number of poles	3p
Arrangement of phases	2P+PE
Position of earth contact	6 h
Voltage	200 - 250V~

Product description	
Frequency	50/60Hz
VG-type-no.:	VG 96919 AP 047
Protection degree	IP67
Colour code	bronze-green RAL 6031-F9
Colour of appliance	Bayonet ring bronze-green RAL 6031-F9, Collar bronze-green RAL 6031-F9, Flange bronze-green RAL 6031-F9
Connection design	screw terminal as box terminal
Maximum conductor size	16,0 qmm
Cable entry	other
Height	115mm
Width	113.5mm
Depth	132mm
Flange size vertical in mm	110mm
Flange size horizontal in mm	106mm
Drill hole dist. vertical mm	90mm
Drill hole dist. horizontal mm	90mm
Material of enclosure	Polyamide
Contacts	the contact carrier is made of high temperature resistant material, the contacts are brass nickel plated

Additional technical information	
	With closure cap

Logistics data	
Weight/pcs	0.0 kg / Piece
Packaging	Bag
Content amount	1 ST
EAN	4024941280426
Length	132 mm
Width	113.5 mm
Height	115 mm
Weight	0.001 kg
Volume	1,722.93 ccm
Packaging	Carton
Content amount	5 ST
EAN	4024941839624
Length	295 mm
Width	185 mm
Height	215 mm
Weight	0.164 kg
Volume	9,975 ccm



Ampere	63	63	63	125	125	125
Polzahl	3	4	5	3	4	5
a	110,0	110,0	110,0	120,0	120,0	120,0
b	106,0	106,0	106,0	120,0	120,0	120,0
c	90,0	90,0	90,0	100,0	100,0	100,0
d	90,0	90,0	90,0	100,0	100,0	100,0
e ø	5,5	5,5	5,5	6,5	6,5	6,5
f	13,0	13,0	13,0	13,0	13,0	13,0
h	114,0	114,0	114,0	121,0	121,0	121,0
i	19,0	19,0	19,0	20,0	20,0	20,0
k ø	113,5	113,5	113,5	126,0	126,0	126,0
m ø	93,0	93,0	93,0	104,0	104,0	104,0
Leiter mm ² min	6,0	6,0	6,0	16,0	16,0	16,0
Leiter mm ² max	16,0	16,0	16,0	50,0	50,0	50,0