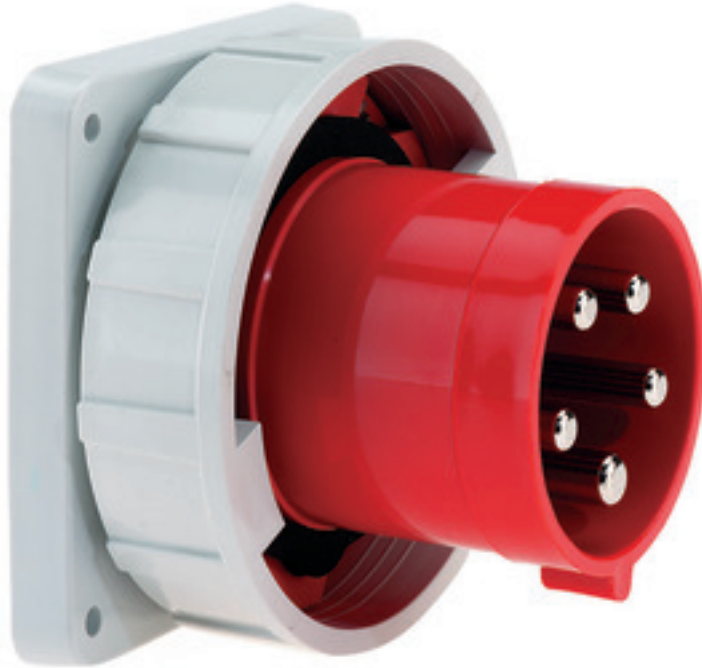


# Flanged appliance inlet - flange 100x100 fixing centers 80x80

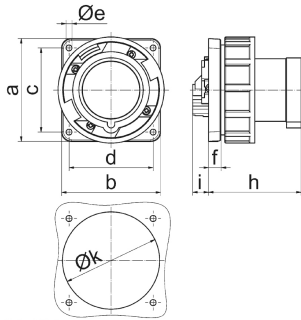


Product description	
BALS-Prd.-Nr	28180
EAN	4024941281805
Product category	TE flanged appliance inlet straight
Current	63A
Number of poles	5p
Arrangement of phases	3p+N+PE
Position of earth contact	6 h
Voltage	200/346 - 240/415V~

Product description	
Frequency	50/60Hz
Protection degree	IP67
Colour code	red RAL 3000
Colour of appliance	Collar red RAL 3000, Bayonet ring grey RAL 7035, Enclosure grey RAL 7035
Connection design	screw terminal as box terminal
Maximum conductor size	16,0 qmm
Cable entry	other
Height	113.5mm
Width	113.5mm
Depth	114mm
Flange size vertical in mm	100mm
Flange size horizontal in mm	100mm
Drill hole dist. vertical mm	80mm
Drill hole dist. horizontal mm	80mm
Material of enclosure	Polyamide
Contacts	the contact carrier is made of high temperature resistant material, the contacts are brass nickel plated

Additional technical information	
	Collar in middle of flange

Logistics data	
Weight/pcs	0.625 kg / Piece
Packaging	Bag
Content amount	1 ST
EAN	4024941281805
Length	114 mm
Width	113.5 mm
Height	113.5 mm
Weight	0.626 kg
Volume	1,468.577 ccm
Packaging	Carton
Content amount	5 ST
EAN	4024941949873
Length	258 mm
Width	183 mm
Height	212 mm
Weight	3.277 kg
Volume	8,750 ccm



5 MB 134

Ampere	63	63	63				
Polzahl	3	4	5				
a	100,0	100,0	100,0				
b	100,0	100,0	100,0				
c	80,0	80,0	80,0				
d	80,0	80,0	80,0				
e ø	5,5	5,5	5,5				
f	13,0	13,0	13,0				
h	96,0	96,0	96,0				
i	19,0	19,0	19,0				
k ø	93,0	93,0	93,0				