

# Flanged appliance inlet - flange 75x75 fixing centers 60x60

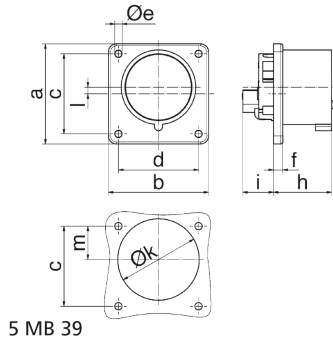


Product description	
BALS-Prd.-Nr	2827
EAN	4024941028271
Product category	TE flanged appliance inlet straight
Current	32A
Number of poles	3p
Arrangement of phases	2P+PE
Position of earth contact	6 h
Voltage	200 - 250V~

Product description	
Frequency	50/60Hz
Protection degree	IP44
Colour code	blue RAL 5015
Colour of appliance	Enclosure blue RAL 5015
Connection design	with screw terminal
Maximum conductor size	6,0 qmm
Cable entry	other
Height	75mm
Width	75mm
Depth	82mm
Flange size vertical in mm	75mm
Flange size horizontal in mm	75mm
Drill hole dist. vertical mm	60mm
Drill hole dist. horizontal mm	60mm
Material of enclosure	Polyamide
Contacts	the contact carrier is made of high temperature resistant material, the contacts are brass nickel plated

Additional technical information	
	A retaining device to match the hinged cover of the connector must be provided to ensure the latching feature
	Collar is brought out of center of the flange by 2 mm

Logistics data	
Weight/pcs	0.14 kg / Piece
Packaging	Bag
Content amount	1 ST
EAN	4024941028271
Length	82 mm
Width	75 mm
Height	75 mm
Weight	0.141 kg
Volume	461.25 ccm
Packaging	Carton
Content amount	10 ST
EAN	4024941968423
Length	245 mm
Width	177 mm
Height	185 mm
Weight	1.533 kg
Volume	7,140 ccm



Ampere	16	16	16	32	32	32
Polzahl	3	4	5	3	4	5
a	75,0	75,0	75,0	75,0	75,0	75,0
b	75,0	75,0	75,0	75,0	75,0	75,0
c	60,0	60,0	60,0	60,0	60,0	60,0
d	60,0	60,0	60,0	60,0	60,0	60,0
e ø	5,5	5,5	5,5	5,5	5,5	5,5
f	7,0	7,0	7,0	7,0	7,0	7,0
h	43,0	43,0	43,0	53,0	53,0	53,0
i	24,0	24,0	24,0	30,0	30,0	30,0
k ø	42,0	48,0	61,0	58,0	58,0	60,0
l	-	-	5	2	2	-
m	30,0	30,0	25,0	28,0	28,0	30,0
Leiter mm <sup>2</sup> min	1,5	1,5	1,5	2,5	2,5	2,5
Leiter mm <sup>2</sup> max	4	4	4	10	10	10