

Flanged appliance inlet - flange diameter 115 fixing centers 72x72

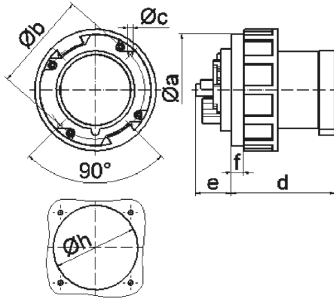


Product description	
BALS-Prd.-Nr	2846
EAN	4024941028462
Product category	TE flanged appliance inlet straight
Current	125A
Number of poles	5p
Arrangement of phases	3p+N+PE
Position of earth contact	6 h
Voltage	200/346 - 240/415V~

Product description	
Frequency	50/60Hz
Protection degree	IP67
Colour code	red RAL 3000
Colour of appliance	Collar red RAL 3000, Bayonet ring grey RAL 7035
Connection design	screw terminal as box terminal
Maximum conductor size	50.0 qmm
Cable entry	other
Height	136mm
Width	136mm
Depth	145mm
Flange size vertical in mm	115mm
Flange size horizontal in mm	115mm
Drill hole dist. vertical mm	72mm
Drill hole dist. horizontal mm	72mm
Material of enclosure	Polyamide
Contacts	the contact carrier is made of high temperature resistant material, the contacts are brass nickel plated

Additional technical information	
	The flange has a diameter of 115 mm and a four point attachment

Logistics data	
Weight/pcs	1.055 kg / Piece
Packaging	Bag
Content amount	1 ST
EAN	4024941028462
Length	145 mm
Width	136 mm
Height	136 mm
Weight	1.056 kg
Volume	2,681.92 ccm
Packaging	Carton
Content amount	5 ST
EAN	4024941952682
Length	325 mm
Width	217 mm
Height	210 mm
Weight	5.481 kg
Volume	13,588.4 ccm



5 MB 49

Ampere	125	125	125				
Polzahl	3	4	5				
a	115,0	115,0	115,0				
b ø	102,0	102,0	102,0				
c	5,2	5,2	5,2				
d	108,0	108,0	108,0				
e	37,0	37,0	37,0				
f	13,0	13,0	13,0				
h	87,0	87,0	87,0				
Leiter mm ² min	16	16	16				
Leiter mm ² max	50	50	50				