

TN panel mounting appliance inlet, straight - flange 85x85, fixing centers 70x70

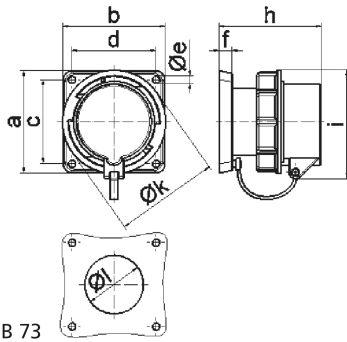


Product description	
BALS-Prd.-Nr	2894
EAN	4024941028943
Product category	TN panel mounting appliance inlet, straight
Current	16A
Number of poles	5p
Arrangement of phases	3p+N+PE
Position of earth contact	6 h
Voltage	200/346 - 240/415V~

Product description	
Frequency	50/60Hz
VG-type-no.:	VG 96919 AP 001
Protection degree	IP67
Colour code	bronze-green RAL 6031-F9
Colour of appliance	Collar bronze-green RAL 6031-F9, Closure cap bronze-green RAL 6031-F9, Bayonet ring bronze-green RAL 6031-F9, Enclosure bronze-green RAL 6031-F9
Connection design	with screw terminal
Maximum conductor size	2,5 qmm
Cable entry	other
Height	93mm
Width	86.5mm
Depth	82mm
Flange size vertical in mm	85mm
Flange size horizontal in mm	85mm
Drill hole dist. vertical mm	70mm
Drill hole dist. horizontal mm	70mm
Material of enclosure	Polyamide
Contacts	The contact carrier is made of high temperature resistant material, the contacts are brass nickel plated

Additional technical information	
	With closure cap

Logistics data	
Weight/pcs	0.259 kg / Piece
Packaging	Bag
Content amount	1 ST
EAN	4024941028943
Length	82 mm
Width	86.5 mm
Height	93 mm
Weight	0.26 kg
Volume	659.649 ccm
Packaging	Carton
Content amount	10 ST
EAN	4024941826662
Length	258 mm
Width	183 mm
Height	212 mm
Weight	2.742 kg
Volume	8,750 ccm



Ampere	16	16	16	32	32	32
Polzahl	3	4	5	3	4	5
a	85,0	85,0	85,0	85,0	85,0	85,0
b	85,0	85,0	85,0	85,0	85,0	85,0
c	70,0	70,0	70,0	70,0	70,0	70,0
d	70,0	70,0	70,0	70,0	70,0	70,0
e ø	6,3	6,3	6,3	6,3	6,3	6,3
f	11,0	11,0	11,0	11,0	11,0	11,0
h	84,0	84,0	85,0	94,0	94,0	94,0
i	82,5	86,0	91,0	96,5	96,5	104,0
k ø	70,5	78,5	86,5	94,0	94,0	101,5
l ø	49,0	49,0	49,0	49,0	49,0	49,0
Leiter mm ² min	1,0	1,0	1,0	2,5	2,5	2,5
Leiter mm ² max	2,5	2,5	2,5	6,0	6,0	6,0