

TN panel mounting appliance inlet, straight - flange 85x85, fixing centers 70x70

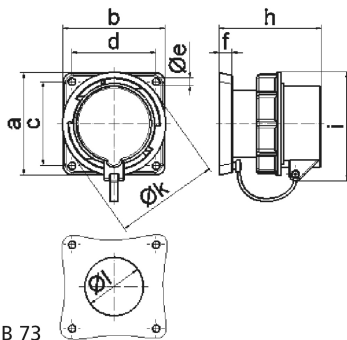


Product description	
BALS-Prd.-Nr	2896
EAN	4024941028967
Product category	TN panel mounting appliance inlet, straight
Current	32A
Number of poles	4p
Arrangement of phases	3P+PE
Position of earth contact	6 h
Voltage	380 - 415V~

Product description	
Frequency	50/60Hz
VG-type-no.:	VG 96919 AP 022
Protection degree	IP67
Colour code	bronze-green RAL 6031-F9
Colour of appliance	Collar bronze-green RAL 6031-F9, Closure cap bronze-green RAL 6031-F9, Bayonet ring bronze-green RAL 6031-F9, Enclosure bronze-green RAL 6031-F9
Connection design	with screw terminal
Maximum conductor size	6,0 qmm
Cable entry	other
Height	96.5mm
Width	94mm
Depth	94mm
Flange size vertical in mm	85mm
Flange size horizontal in mm	85mm
Drill hole dist. vertical mm	70mm
Drill hole dist. horizontal mm	70mm
Material of enclosure	Polyamide
Contacts	The contact carrier is made of high temperature resistant material, the contacts are brass nickel plated

Additional technical information	
	With closure cap

Logistics data	
Weight/pcs	0.0 kg / Piece
Packaging	Bag
Content amount	1 ST
EAN	4024941028967
Length	94 mm
Width	94 mm
Height	96.5 mm
Weight	0.001 kg
Volume	852.674 ccm



5 MB 73

Ampere Polzahl	16 3	16 4	16 5	32 3	32 4	32 5
a	85,0	85,0	85,0	85,0	85,0	85,0
b	85,0	85,0	85,0	85,0	85,0	85,0
c	70,0	70,0	70,0	70,0	70,0	70,0
d	70,0	70,0	70,0	70,0	70,0	70,0
e ø	6,3	6,3	6,3	6,3	6,3	6,3
f	11,0	11,0	11,0	11,0	11,0	11,0
h	84,0	84,0	85,0	94,0	94,0	94,0
i	82,5	86,0	91,0	96,5	96,5	104,0
k ø	70,5	78,5	86,5	94,0	94,0	101,5
l ø	49,0	49,0	49,0	49,0	49,0	49,0
Leiter mm² min	1,0	1,0	1,0	2,5	2,5	2,5
Leiter mm² max	2,5	2,5	2,5	6,0	6,0	6,0