

connector - INNOLINQ lead-free, with QUICK-CONNECT and MULTI-GRIP



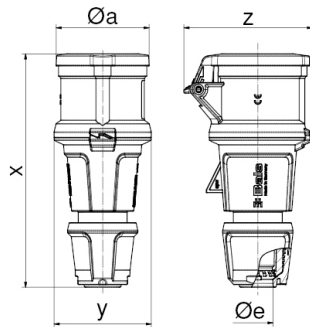
Product description	
BALS-Prd.-Nr	310
EAN	4024941346917
Product category	Connector INNOLINQ QC
Current	16A
Number of poles	3p
Arrangement of phases	2P+PE
Position of earth contact	4 h
Voltage	100 - 130V~

Product description	
Frequency	50/60Hz
Protection degree	IP54
Colour code	yellow RAL 1012
Colour of appliance	Cable gland dark grey RAL 7012, Housing cover dark grey RAL 7012, Hinged lid dark grey RAL 7012, Collar yellow RAL 1012
Connection design	screwless spring terminals with KONTEX-ULTRA contact
Maximum conductor size	2,5 qmm
Cable entry	with cable gland
Height	157mm
Width	59mm
Depth	80mm
Material of enclosure	Polyamide
Contacts	The contacts are brass, The contact carrier is made of high temperature resistant material

Additional technical information	
	This product is without any lead
	Multi-Grip cable gland with gasket and integrated strain relief, Screwless housing connection with snap fastening, For cable diameter from 8 up to max. 18 mm

Logistics data	
Weight/pcs	0.154 kg / Piece

Logistics data	
Packaging	Bag
Content amount	1 ST
EAN	4024941409636
Length	80 mm
Width	59 mm
Height	157 mm
Volume	741.04 ccm



Ampere	16	16	32	32	32
Polzahl	3	5	3	4	5
ø a	55,0	68,0	69,0	69,0	76,0
x	157,0	171,0	205,0	205,0	205,0
y	59,0	71,0	80,0	80,0	80,0
z	80,0	94,0	99,0	99,0	105,0
ø e	18,0	21,0	29,0	29,0	29,0
Cond. mm ² min	1	1	2,5	2,5	2,5
Cond. mm ² max	2,5	2,5	6,0	6,0	6,0