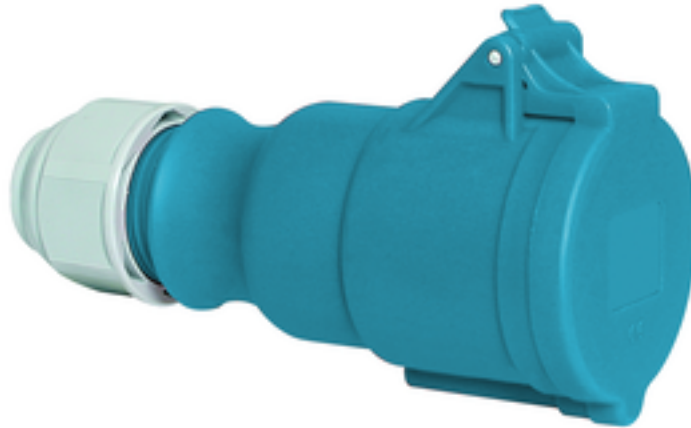


connector - with screw terminals one piece housing



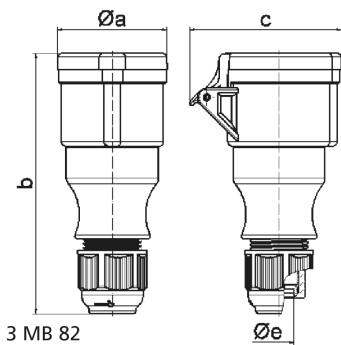
Product description	
BALS-Prd.-Nr	31001-TLS
EAN	4024941192330
Product category	TLS connector Multi-Grip cable gland
Current	16A
Number of poles	3p
Arrangement of phases	2P+PE
Position of earth contact	6 h
Voltage	200 - 250V~
Frequency	50/60Hz

Product description	
Protection degree	IP44
Colour code	blue RAL 5015
Colour of appliance	Hinged lid blue RAL 5015, Cable gland grey RAL 7035, Enclosure blue RAL 5015
Connection design	with screw terminal
Maximum conductor size	2,5 qmm
Cable entry	with cable gland
Height	149mm
Width	52mm
Depth	74mm
Material of enclosure	Polyamide
Contacts	The contact carrier is made of polyamide, The contacts are brass

Additional technical information	
	Multi-Grip cable gland with gasket and integrated strain relief, one piece housing, For cable diameter from 8 up to max. 18 mm

Logistics data	
Weight/pcs	0.15 kg / Piece
Packaging	Carton
Content amount	10 ST
EAN	4024941828215

Logistics data	
Length	275 mm
Width	175 mm
Height	137 mm
Weight	1.625 kg
Volume	5,737.5 ccm



Ampere	16	16	16	32	32	32
Polzahl	3	4	5	3	4	5
a ø	51,0	58,0	65,0	67,0	67,0	73,0
b	145,0	148,0	156,0	185,0	185,0	185,0
c	74,0	84,0	90,0	94,0	94,0	102,0
e ø	18,0	18,0	18,0	23,0	23,0	23,0
Leiter mm ² min	1	1	1	2,5	2,5	2,5
Leiter mm ² max	2,5	2,5	2,5	6	6	6