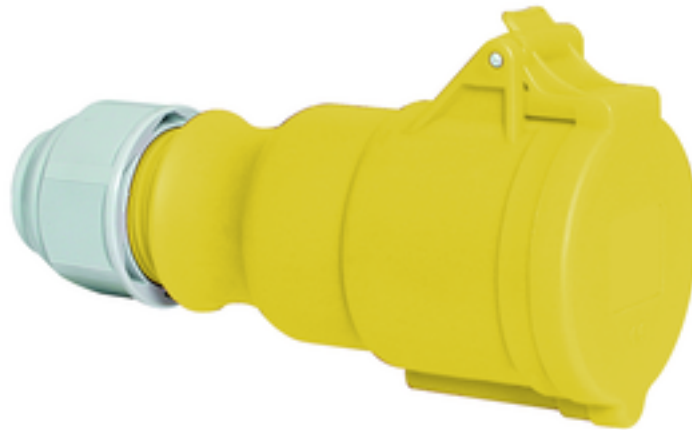


connector - with screw terminals one piece housing



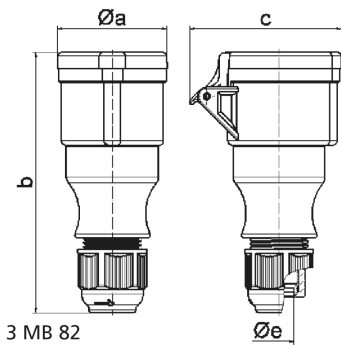
Product description	
BALS-Prd.-Nr	31012-TLS
EAN	4024941199438
Product category	TLS connector Multi-Grip cable gland
Current	32A
Number of poles	3p
Arrangement of phases	2P+PE
Position of earth contact	4 h
Voltage	100 - 130V~
Frequency	50/60Hz

Product description	
Protection degree	IP44
Colour code	yellow RAL 1012
Colour of appliance	Hinged lid yellow RAL 1012, Cable gland grey RAL 7035, Enclosure yellow RAL 1012
Connection design	with screw terminal
Maximum conductor size	6,0 qmm
Cable entry	with cable gland
Height	181mm
Width	67mm
Depth	94mm
Material of enclosure	Polyamide
Contacts	The contact carrier is made of polyamide, The contacts are brass

Additional technical information	
	Multi-Grip cable gland with gasket and integrated strain relief, one piece housing, For cable diameter from 11 up to max. 23,5 mm

Logistics data	
Weight/pcs	0.24 kg / Piece
Packaging	Bag
Content amount	1 ST
EAN	4024941199438

Logistics data	
Length	94 mm
Width	67 mm
Height	181 mm
Weight	0.241 kg
Volume	1,139.938 ccm
Packaging	Carton
Content amount	10 ST
EAN	4024941826938
Length	258 mm
Width	183 mm
Height	212 mm
Weight	2.552 kg
Volume	8,750 ccm



Ampere	16	16	16	32	32	32
Polzahl	3	4	5	3	4	5
a ø	51,0	58,0	65,0	67,0	67,0	73,0
b	145,0	148,0	156,0	185,0	185,0	185,0
c	74,0	84,0	90,0	94,0	94,0	102,0
e ø	18,0	18,0	18,0	23,0	23,0	23,0
Leiter mm ² min	1	1	1	2,5	2,5	2,5
Leiter mm ² max	2,5	2,5	2,5	6	6	6