

Connector - with screw terminals one piece housing



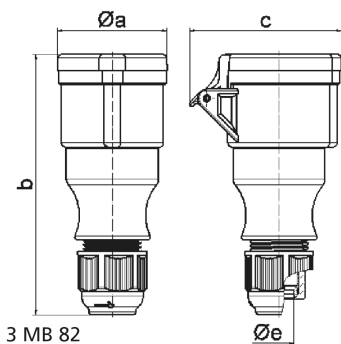
| Product description | |
|---------------------------|--------------------------------------|
| BALS-Prd.-Nr | 31016-TLS |
| EAN | 4024941199469 |
| Product category | TLS connector MULTI-GRIP cable gland |
| Current | 32A |
| Number of poles | 4p |
| Arrangement of phases | 3P+PE |
| Position of earth contact | 9 h |
| Voltage | 200 - 250V~ |
| Frequency | 50/60Hz |

| Product description | |
|------------------------|--|
| Protection degree | IP44 |
| Colour code | blue RAL 5015 |
| Colour of appliance | Enclosure blue RAL 5015, Hinged lid blue RAL 5015, Cable gland grey RAL 7035 |
| Connection design | with screw terminal |
| Maximum conductor size | 6,0 qmm |
| Cable entry | with cable gland |
| Height | 181mm |
| Width | 67mm |
| Depth | 94mm |
| Material of enclosure | Polyamide |
| Contacts | the contact carrier is made of polyamide, the contacts are brass |

| Additional technical information | |
|----------------------------------|---|
| | one piece housing, MULTI-GRIP cable gland with gasket and integrated strain relief, For cable diameter from 11 up to max. 23,5 mm |

| Logistics data | |
|----------------|------------------|
| Weight/pcs | 0.248 kg / Piece |
| Packaging | Bag |
| Content amount | 1 ST |
| EAN | 4024941199469 |

| Logistics data | |
|----------------|---------------|
| Length | 94 mm |
| Width | 67 mm |
| Height | 181 mm |
| Weight | 0.249 kg |
| Volume | 1,139.938 ccm |
| Packaging | Carton |
| Content amount | 10 ST |
| EAN | 4024941962971 |
| Length | 258 mm |
| Width | 183 mm |
| Height | 212 mm |
| Weight | 2.632 kg |
| Volume | 8,750 ccm |



| Ampere | 16 | 16 | 16 | 32 | 32 | 32 |
|----------------------------|-------|-------|-------|-------|-------|-------|
| Polzahl | 3 | 4 | 5 | 3 | 4 | 5 |
| a ø | 51,0 | 58,0 | 65,0 | 67,0 | 67,0 | 73,0 |
| b | 145,0 | 148,0 | 156,0 | 185,0 | 185,0 | 185,0 |
| c | 74,0 | 84,0 | 90,0 | 94,0 | 94,0 | 102,0 |
| e ø | 18,0 | 18,0 | 18,0 | 23,0 | 23,0 | 23,0 |
| Leiter mm ² min | 1 | 1 | 1 | 2,5 | 2,5 | 2,5 |
| Leiter mm ² max | 2,5 | 2,5 | 2,5 | 6 | 6 | 6 |
| | | | | | | |
| | | | | | | |
| | | | | | | |
| | | | | | | |