

Event connector, black - for event technology



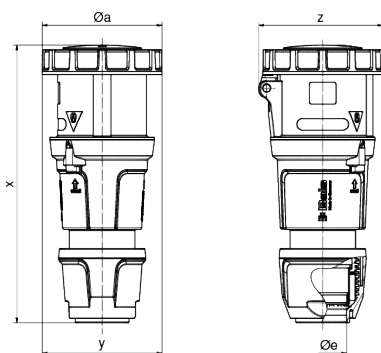
Product description	
BALS-Prd.-Nr	310466
EAN	4024941142663
Product category	TE connector
Current	125A
Number of poles	5p
Arrangement of phases	3p+N+PE
Position of earth contact	6 h
Voltage	200/346 - 240/415V~
Frequency	50/60Hz

Product description	
Protection degree	IP67
Colour code	red RAL 3000
Colour of appliance	Hinged lid black RAL 9005, Collar black RAL 9005, Housing cover black RAL 9005, Cable gland black RAL 9005, Bayonet ring black RAL 9005, Pusher black RAL 9005
Connection design	screw terminal as box terminal with Kontex-contact
Maximum conductor size	50.0 qmm
Cable entry	with cable gland
Height	295mm
Width	125mm
Depth	128mm
Material of enclosure	Polyamide
Contacts	The contact carrier is made of high temperature resistant material, the contacts are brass nickel plated

Additional technical information	
	Screwless housing connection, For cable diameter from 26 up to max. 50 mm, Multi-Grip cable gland with gasket and integrated strain relief

Logistics data	
Weight/pcs	1.3 kg / Piece
Packaging	Bag
Content amount	1 ST

Logistics data	
EAN	4024941142663
Length	128 mm
Width	125 mm
Height	295 mm
Weight	1.301 kg
Volume	4,720 ccm
Packaging	Carton
Content amount	5 ST
EAN	4024941840637
Length	345 mm
Width	345 mm
Height	217 mm
Weight	6.835 kg
Volume	24,276 ccm



Ampere Polzahl	125 3	125 4	125 5
ø a	125,0	125,0	125,0
ø e	50,0	50,0	50,0
x	290,0	290,0	290,0
y	125,0	125,0	125,0
z	130,0	130,0	130,0
Cond. mm² min	16,0	16,0	16,0
Cond. mm² max	50,0	50,0	50,0