

# Connector - black for event technology - for event technology



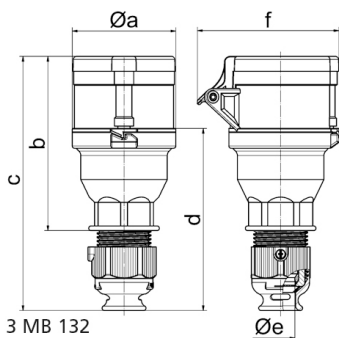
Product description	
BALS-Prd.-Nr	310512
EAN	4024941145831
Product category	QUICK-CONNECT connector
Current	16A
Number of poles	3p
Arrangement of phases	2P+PE
Position of earth contact	6 h
Voltage	200 - 250V~

Product description	
Frequency	50/60Hz
Protection degree	IP44
Colour code	blue RAL 5015
Colour of appliance	Collar black RAL 9005, Hinged lid black RAL 9005, Housing cover black RAL 9005, Cable gland black RAL 9005
Connection design	screwless spring terminals with KONTEX-contact
Maximum conductor size	2,5 qmm
Cable entry	with cable gland
Height	149mm
Width	53mm
Depth	69mm
Material of enclosure	Polyamide
Contacts	the contact carrier is made of polyamide, the contacts are brass nickel plated

Additional technical information	
	MULTI-GRIP cable gland with gasket and integrated strain relief, Screwless housing connection with snap fastening, For cable diameter from 8 up to max. 18 mm

Logistics data	
Weight/pcs	0.126 kg / Piece
Packaging	Bag
Content amount	1 ST

Logistics data	
EAN	4024941145831
Length	69 mm
Width	53 mm
Height	149 mm
Weight	0.127 kg
Volume	544.893 ccm
Packaging	Carton
Content amount	10 ST
EAN	4024941840552
Length	275 mm
Width	175 mm
Height	137 mm
Weight	1.385 kg
Volume	5,737.5 ccm



Ampere	16	16	16	32	32	32
Polzahl	3	4	5/7	3	4	5/7
a ø	53,0	60,0	66,0	74,5	74,5	74,5
b	100,5	112,5	113,5	133,5	133,5	134,5
c	151,0	163,0	164,0	196,0	196,0	197,0
d	107,5	114,5	115,5	137,5	137,5	138,5
e ø	18,0	18,0	18,0	23,0	23,0	23,0
f	76,0	79,0	86,0	92,0	92,0	97,0
Leiter mm <sup>2</sup> min	1	1	1	2,5	2,5	2,5
Leiter mm <sup>2</sup> max	2,5	2,5	2,5	6	6	6