

# Connector - black for event technology - for event technology



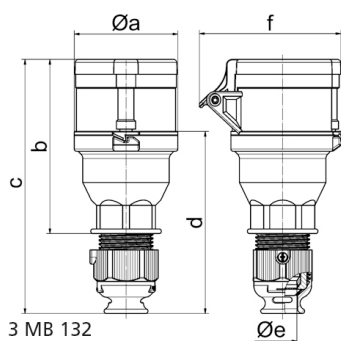
Product description	
BALS-Prd.-Nr	310517
EAN	4024941145725
Product category	QUICK-CONNECT connector
Current	32A
Number of poles	5p
Arrangement of phases	3p+N+PE
Position of earth contact	6 h
Voltage	200/346 - 240/415V~

Product description	
Frequency	50/60Hz
Protection degree	IP44
Colour code	red RAL 3000
Colour of appliance	Collar black RAL 9005, Hinged lid black RAL 9005, Housing cover black RAL 9005, Cable gland black RAL 9005
Connection design	screwless spring terminals with KONTEX-contact
Maximum conductor size	6,0 qmm
Cable entry	with cable gland
Height	188mm
Width	79mm
Depth	102mm
Material of enclosure	Polyamide
Contacts	the contact carrier is made of polyamide, the contacts are brass nickel plated

Additional technical information	
	MULTI-GRIP cable gland with gasket and integrated strain relief, Screwless housing connection with snap fastening, For cable diameter from 11 up to max. 23,5 mm

Logistics data	
Weight/pcs	0.295 kg / Piece
Packaging	Bag
Content amount	1 ST

Logistics data	
EAN	4024941145725
Length	102 mm
Width	79 mm
Height	188 mm
Weight	0.296 kg
Volume	1,514.904 ccm
Packaging	Carton
Content amount	10 ST
EAN	4024941826341
Length	325 mm
Width	217 mm
Height	210 mm
Weight	3.156 kg
Volume	13,588.4 ccm



Ampere	16	16	16	32	32	32
Polzahl	3	4	5/7	3	4	5/7
a ø	53,0	60,0	66,0	74,5	74,5	74,5
b	100,5	112,5	113,5	133,5	133,5	134,5
c	151,0	163,0	164,0	196,0	196,0	197,0
d	107,5	114,5	115,5	137,5	137,5	138,5
e ø	18,0	18,0	18,0	23,0	23,0	23,0
f	76,0	79,0	86,0	92,0	92,0	97,0
Leiter mm <sup>2</sup> min	1	1	1	2,5	2,5	2,5
Leiter mm <sup>2</sup> max	2,5	2,5	2,5	6	6	6