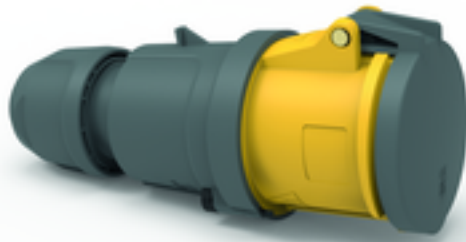


## connector - with TE screw terminals, for harsh applications



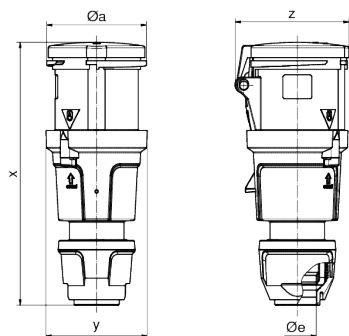
| Product description       |               |
|---------------------------|---------------|
| BALS-Prd.-Nr              | 3108          |
| EAN                       | 4024941031080 |
| Product category          | TE connector  |
| Current                   | 63A           |
| Number of poles           | 3p            |
| Arrangement of phases     | 2P+PE         |
| Position of earth contact | 4 h           |
| Voltage                   | 100 - 130V~   |

| Product description    |  |
|------------------------|--|
| Frequency              | 50/60Hz  |
| Protection degree      | IP44   |
| Colour code            | yellow RAL 1012  |
| Colour of appliance    | Collar yellow RAL 1012, Pusher black RAL 9005, Hinged lid dark grey RAL 7012, Housing cover dark grey RAL 7012, Cable gland dark grey RAL 7012 |
| Connection design      | screw terminal as box terminal with Kontex-contact   |
| Maximum conductor size | 16,0 qmm   |
| Cable entry            | with cable gland   |
| Height                 | 252mm  |
| Width                  | 97mm   |
| Depth                  | 109mm  |
| Material of enclosure  | Polyamide  |
| Contacts               | The contact carrier is made of high temperature resistant material, the contacts are brass nickel plated                                       |

| Additional technical information |  |
|----------------------------------|--|
|                                  | For cable diameter from 16 up to max. 36 mm, Screwless housing connection, Multi-Grip cable gland with gasket and integrated strain relief |

| Logistics data |                  |
|----------------|------------------|
| Weight/pcs     | 0.595 kg / Piece |
| Packaging      | Bag              |
| Content amount | 1 ST             |

| Logistics data |               |
|----------------|---------------|
| EAN            | 4024941031080 |
| Length         | 109 mm        |
| Width          | 97 mm         |
| Height         | 252 mm        |
| Weight         | 0.596 kg      |
| Volume         | 2,664.396 ccm |
| Packaging      | Carton        |
| Content amount | 5 ST          |
| EAN            | 4024941819244 |
| Length         | 325 mm        |
| Width          | 217 mm        |
| Height         | 210 mm        |
| Weight         | 3.181 kg      |
| Volume         | 13,588.4 ccm  |



|               | 63    | 63    | 63    |
|---------------|-------|-------|-------|
| Ampere        | 3     | 4     | 5     |
| Polzahl       |       |       |       |
| ø a           | 95,0  | 95,0  | 95,0  |
| ø e           | 36,0  | 36,0  | 36,0  |
| x             | 251,0 | 251,0 | 251,0 |
| y             | 97,0  | 97,0  | 97,0  |
| z             | 109,0 | 109,0 | 109,0 |
| Cond. mm² min | 6,0   | 6,0   | 6,0   |
| Cond. mm² max | 16,0  | 16,0  | 16,0  |
|               |       |       |       |
|               |       |       |       |
|               |       |       |       |



