

connector - INNOLINQ lead-free, with QUICK-CONNECT and MULTI-GRIP



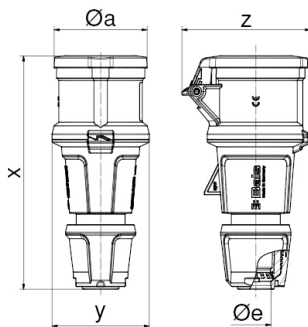
Product description	
BALS-Prd.-Nr	3114
EAN	4024941347129
Product category	Connector INNOLINQ QC
Current	32A
Number of poles	3p
Arrangement of phases	2P+PE
Position of earth contact	6 h
Voltage	200 - 250V~

Product description	
Frequency	50/60Hz
Protection degree	IP54
Colour code	blue RAL 5015
Colour of appliance	Cable gland dark grey RAL 7012, Collar blue RAL 5015, Hinged lid dark grey RAL 7012, Housing cover dark grey RAL 7012
Connection design	screwless spring terminals with KONTEX-ULTRA contact
Maximum conductor size	6,0 qmm
Cable entry	with cable gland
Height	205mm
Width	80mm
Depth	99mm
Material of enclosure	Polyamide
Contacts	The contacts are brass, The contact carrier is made of high temperature resistant material

Additional technical information	
	This product is without any lead
	Multi-Grip cable gland with gasket and integrated strain relief, For cable diameter from 13 up to max. 29 mm, Screwless housing connection with snap fastening

Logistics data	
Weight/pcs	0.301 kg / Piece

Logistics data	
Packaging	Bag
Content amount	1 ST
EAN	4024941347129
Length	99 mm
Width	80 mm
Height	205 mm
Weight	0.302 kg
Volume	1,623.6 ccm



Ampere	16	16	32	32	32
Polzahl	3	5	3	4	5
ø a	55,0	68,0	69,0	69,0	76,0
x	157,0	171,0	205,0	205,0	205,0
y	59,0	71,0	80,0	80,0	80,0
z	80,0	94,0	99,0	99,0	105,0
ø e	18,0	21,0	29,0	29,0	29,0
Cond. mm ² min	1	1	2,5	2,5	2,5
Cond. mm ² max	2,5	2,5	6,0	6,0	6,0

