

Connector - for reefer containers with MULTI-GRIP



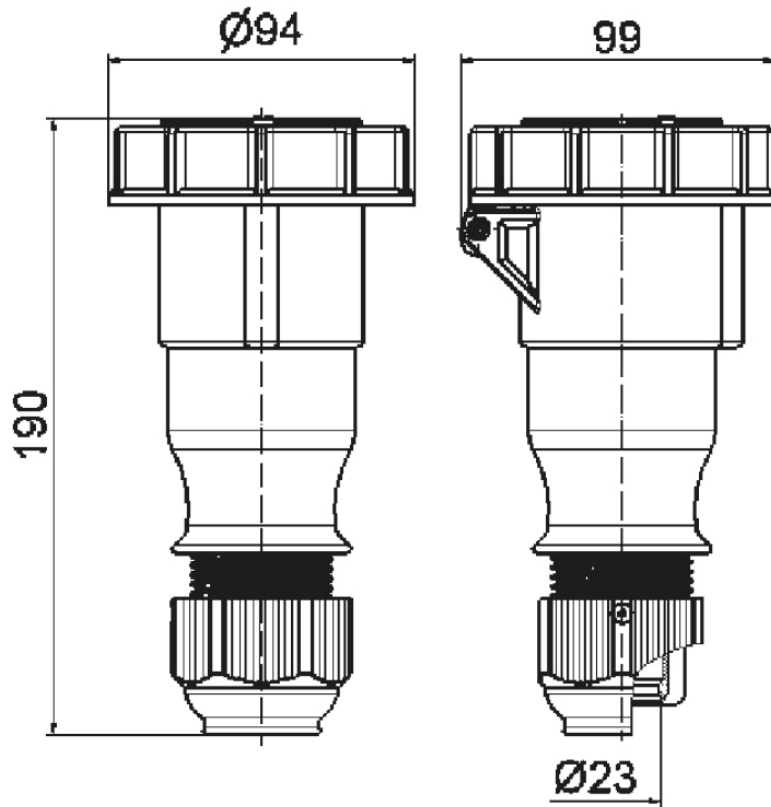
Product description	
BALS-Prd.-Nr	31186-TLQ
EAN	4024941854221
Product category	TLQ connector
Current	32A
Number of poles	4p
Arrangement of phases	3P+PE
Position of earth contact	3 h
Voltage	380V~(50Hz) 440V~(60Hz) for reefer containers only
Frequency	50/60Hz

Product description	
Protection degree	IP67
Colour code	red RAL 3000
Colour of appliance	Hinged lid red RAL 3000, Enclosure red RAL 3000, Bayonet ring grey RAL 7035, Cable gland grey RAL 7035
Connection design	screwless spring terminals with KONTEX-contact
Maximum conductor size	6,0 qmm
Cable entry	with cable gland
Height	190mm
Width	94mm
Depth	97mm
Material of enclosure	Polyamide
Contacts	the contact carrier is made of polyamide, the contacts are brass nickel plated

Additional technical information	
	one piece housing, MULTI-GRIP cable gland with gasket and integrated strain relief, For cable diameter from 11 up to max. 23,5 mm

Logistics data	
Weight/pcs	0.308 kg / Piece
Packaging	Bag
Content amount	1 ST
EAN	4024941854221

Logistics data	
Length	97 mm
Width	94 mm
Height	190 mm
Weight	0.309 kg
Volume	1,732.42 ccm
Packaging	Carton
Content amount	10 ST
EAN	4024941324816
Length	325 mm
Width	217 mm
Height	210 mm
Weight	3.286 kg
Volume	13,588.4 ccm



3 MB 80