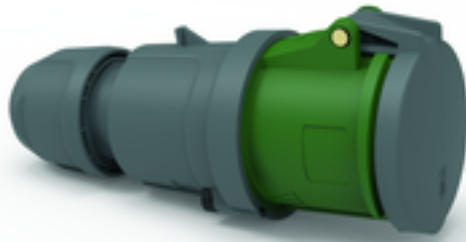


connector - with TE screw terminals, for harsh applications



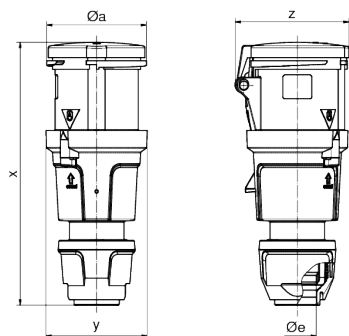
Product description	
BALS-Prd.-Nr	31257
EAN	4024941312578
Product category	TE connector
Current	63A
Number of poles	5p
Arrangement of phases	3p+N+PE
Position of earth contact	2 h
Voltage	> 50V~

Product description	
Frequency	> 300 - 500Hz
Protection degree	IP44
Colour code	green RAL 6002
Colour of appliance	Pusher black RAL 9005, Collar green RAL 6002, Hinged lid dark grey RAL 7012, Housing cover dark grey RAL 7012, Cable gland dark grey RAL 7012
Connection design	screw terminal as box terminal with Kontex-contact
Maximum conductor size	16,0 qmm
Cable entry	with cable gland
Height	252mm
Width	97mm
Depth	109mm
Material of enclosure	Polyamide
Contacts	The contact carrier is made of high temperature resistant material, the contacts are brass nickel plated

Additional technical information	
	For cable diameter from 16 up to max. 36 mm, Screwless housing connection, Multi-Grip cable gland with gasket and integrated strain relief

Logistics data	
Weight/pcs	0.72 kg / Piece
Packaging	Bag
Content amount	1 ST

Logistics data	
EAN	4024941312578
Length	109 mm
Width	97 mm
Height	252 mm
Weight	0.721 kg
Volume	2,664.396 ccm
Packaging	Carton
Content amount	10 ST
EAN	4024941834919
Length	325 mm
Width	217 mm
Height	210 mm
Weight	7.406 kg
Volume	13,588.4 ccm



	63	63	63
Ampere	3	4	5
Polzahl			
ø a	95,0	95,0	95,0
ø e	36,0	36,0	36,0
x	251,0	251,0	251,0
y	97,0	97,0	97,0
z	109,0	109,0	109,0
Cond. mm² min	6,0	6,0	6,0
Cond. mm² max	16,0	16,0	16,0



