

# Connector TN - with cable gland with bayonet cover

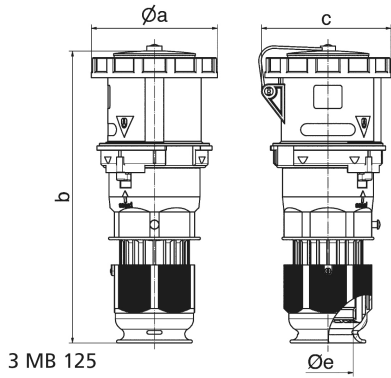


| Product description       |               |
|---------------------------|---------------|
| BALS-Prd.-Nr              | 31329         |
| EAN                       | 4024941313292 |
| Product category          | TN connector  |
| Current                   | 125A          |
| Number of poles           | 5p            |
| Arrangement of phases     | 3p+N+PE       |
| Position of earth contact | 2 h           |
| Voltage                   | > 50V~        |
| Frequency                 | > 300 - 500Hz |

| Product description    |  |
|------------------------|--|
| VG-type-no.:           | VG 96919 DS 016  |
| Protection degree      | IP67   |
| Colour code            | bronze-green RAL 6031-F9   |
| Colour of appliance    | Pusher black RAL 9005, Cable gland bronze-green RAL 6031-F9, Bayonet ring bronze-green RAL 6031-F9, Housing cover bronze-green RAL 6031-F9, Collar bronze-green RAL 6031-F9, Hinged lid bronze-green RAL 6031-F9 |
| Connection design      | screw terminal as box terminal with Kontex-contact   |
| Maximum conductor size | 50.0 qmm   |
| Cable entry            | with cable gland   |
| Height                 | 294mm  |
| Width                  | 125mm  |
| Depth                  | 129mm  |
| Material of enclosure  | Polyamide  |
| Contacts               | the contact carrier is made of high temperature resistant material, the contacts are brass nickel plated   |

| Additional technical information |  |
|----------------------------------|--|
|                                  | with pilot contact   |
|                                  | For cable diameter from 26 up to max. 50 mm, Screwless housing connection, MULTI-GRIP cable gland with gasket, integrated cable clamp and additional water evacuation openings |
|                                  | With bayonet cover on strap  |

| Logistics data |                 |
|----------------|-----------------|
| Weight/pcs     | 1.35 kg / Piece |
| Packaging      | Bag             |
| Content amount | 1 ST            |
| EAN            | 4024941313292   |
| Length         | 129 mm          |
| Width          | 125 mm          |
| Height         | 294 mm          |
| Weight         | 1.351 kg        |
| Volume         | 4,740.75 ccm    |
| Packaging      | Carton          |
| Content amount | 5 ST            |
| EAN            | 4024941840125   |
| Length         | 345 mm          |
| Width          | 345 mm          |
| Height         | 217 mm          |
| Weight         | 7.085 kg        |
| Volume         | 24,276 ccm      |



| Ampere                     | 63    | 63    | 63    | 125   | 125   | 125   |
|----------------------------|-------|-------|-------|-------|-------|-------|
| Polzahl                    | 3     | 4     | 5     | 3     | 4     | 5     |
| a ø                        | 110,0 | 110,0 | 110,0 | 125,0 | 125,0 | 125,0 |
| b                          | 263,0 | 263,0 | 263,0 | 300,0 | 300,0 | 300,0 |
| c                          | 113,0 | 113,0 | 113,0 | 128,0 | 128,0 | 128,0 |
| d ø                        | 36,0  | 36,0  | 36,0  | 50,0  | 50,0  | 50,0  |
| Leiter mm <sup>2</sup> min | 6,0   | 6,0   | 6,0   | 16,0  | 16,0  | 16,0  |
| Leiter mm <sup>2</sup> max | 16,0  | 16,0  | 16,0  | 50,0  | 50,0  | 50,0  |
|                            |       |       |       |       |       |       |
|                            |       |       |       |       |       |       |
|                            |       |       |       |       |       |       |
|                            |       |       |       |       |       |       |