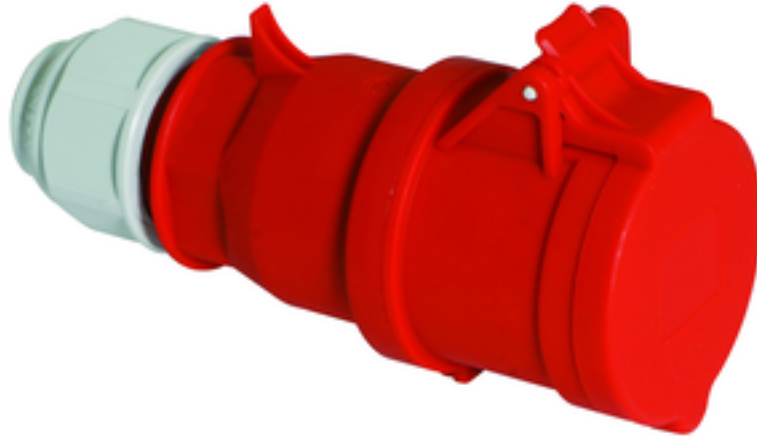


## connector - with screwless terminals



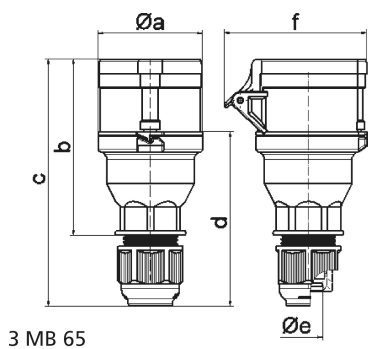
Product description	
BALS-Prd.-Nr	3136
EAN	4024941031363
Product category	QUICK-CONNECT connector
Current	16A
Number of poles	5p
Arrangement of phases	3p+N+PE
Position of earth contact	6 h
Voltage	200/346 - 240/415V~
Frequency	50/60Hz

Product description	
Protection degree	IP44
Colour code	red RAL 3000
Colour of appliance	Hinged lid red RAL 3000, Housing cover red RAL 3000, Cable gland grey RAL 7035, Collar red RAL 3000
Connection design	screwless spring terminals with Kontex-Kontakt
Maximum conductor size	2,5 qmm
Cable entry	with cable gland
Height	157mm
Width	71mm
Depth	91mm
Material of enclosure	Polyamide
Contacts	The contacts are brass, The contact carrier is made of polyamide

Additional technical information	
	Multi-Grip cable gland with gasket and integrated strain relief, For cable diameter from 8 up to max. 18 mm, Screwless housing connection with snap fastening

Logistics data	
Weight/pcs	0.196 kg / Piece
Packaging	Carton
Content amount	10 ST
EAN	4024941969802

Logistics data	
Length	245 mm
Width	177 mm
Height	185 mm
Weight	2.093 kg
Volume	7,140 ccm



Ampere	16	16	16	32	32	32
Polzahl	3	4	5	3	4	5
a ø	53,0	60,0	66,0	74,5	74,5	74,5
b	100,5	112,5	113,5	133,5	133,5	134,5
c	141,0	153,0	154,0	186,0	186,0	187,0
d	97,5	104,5	105,5	127,5	127,5	128,5
e ø	18,0	18,0	18,0	23,0	23,0	23,0
f	76,0	79,0	86,0	92,0	92,0	97,0
Leiter mm <sup>2</sup> min	1	1	1	2,5	2,5	2,5
Leiter mm <sup>2</sup> max	2,5	2,5	2,5	6	6	6