

Connector - with screwless terminals for harsh applications



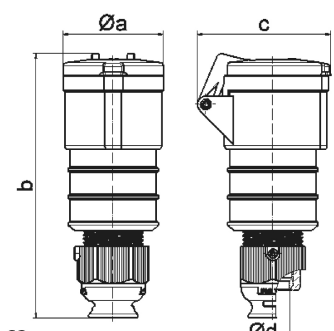
Product description	
BALS-Prd.-Nr	31665
EAN	4024941316651
Product category	QUICK-CONNECT TE connector
Current	16A
Number of poles	3p
Arrangement of phases	2P+PE
Position of earth contact	9 h
Voltage	380 - 415V~

Product description	
Frequency	50/60Hz
Protection degree	IP44
Colour code	red RAL 3000
Colour of appliance	Hinged lid red RAL 3000, Enclosure red RAL 3000, Cable gland grey RAL 7035
Connection design	screwless spring terminals with KONTEX-contact
Maximum conductor size	2,5 qmm
Cable entry	with cable gland
Height	162mm
Width	51mm
Depth	72mm
Material of enclosure	Polyamide
Contacts	the contact carrier is made of high temperature resistant material, the contacts are brass nickel plated

Additional technical information	
	For cable diameter from 8 up to max. 18 mm, MULTI-GRIP cable gland with gasket, integrated cable clamp and additional water evacuation openings

Logistics data	
Weight/pcs	0.143 kg / Piece
Packaging	Bag
Content amount	1 ST

Logistics data	
EAN	4024941316651
Length	72 mm
Width	51 mm
Height	162 mm
Weight	0.144 kg
Volume	594.864 ccm
Packaging	Carton
Content amount	10 ST
EAN	4024941949897
Length	248 mm
Width	158 mm
Height	123 mm
Weight	1.527 kg
Volume	3,960 ccm



3 MB 62

Ampere	16	16	16	32	32	32
Polzahl	3	4	5	3	4	5
a ø	51,0	58,0	65,0	66,5	66,5	72,0
b	156,0	162,0	168,0	195,0	195,0	198,0
c	72,0	78,0	86,0	89,0	89,0	99,0
d ø	18,0	18,0	21,0	23,0	23,0	27,0
Leiter mm ² min	1	1	1	2,5	2,5	2,5
Leiter mm ² max	2,5	2,5	2,5	6	6	6