

connector - with TE screw terminals, for harsh applications

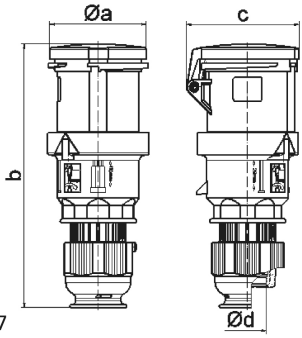


Product description	
BALS-Prd.-Nr	31719
EAN	4024941317191
Product category	TE connector
Current	63A
Number of poles	4p
Arrangement of phases	3P+PE
Position of earth contact	5 h
Voltage	600 - 690V~

Product description	
Frequency	50/60Hz
Protection degree	IP44
Colour code	black RAL 9005
Colour of appliance	Hinged lid black RAL 9005, Cable gland grey RAL 7035, Housing cover grey RAL 7035, Collar grey RAL 7035
Connection design	screw terminal as box terminal with Kontex-contact
Maximum conductor size	16,0 qmm
Cable entry	with cable gland
Height	252mm
Width	97mm
Depth	109mm
Material of enclosure	Polyamide
Contacts	The contact carrier is made of high temperature resistant material, the contacts are brass nickel plated

Logistics data	
Weight/pcs	0.625 kg / Piece
Packaging	Bag
Content amount	1 ST
EAN	4024941317191
Length	109 mm
Width	97 mm

Logistics data	
Height	252 mm
Weight	0.626 kg
Volume	2,664.396 ccm
Packaging	Carton
Content amount	5 ST
EAN	4024941823760
Length	325 mm
Width	217 mm
Height	210 mm
Weight	3.331 kg
Volume	13,588.4 ccm



3 MB 107

Ampere	63	63	63			
Polzahl	3	4	5			
a ø	95,0	95,0	95,0			
b	251,0	251,0	251,0			
c	109,0	109,0	109,0			
d ø	36,0	36,0	36,0			
Leiter mm ² min	6	6	6			
Leiter mm ² max	16	16	16			



