

connector - with TE screw terminals, for harsh applications



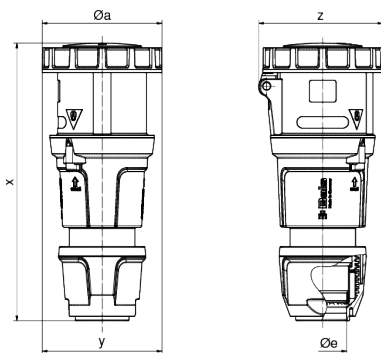
Product description	
BALS-Prd.-Nr	3190
EAN	4024941031905
Product category	TE connector
Current	125A
Number of poles	3p
Arrangement of phases	2P+PE
Position of earth contact	4 h
Voltage	100 - 130V~

Product description	
Frequency	50/60Hz
Protection degree	IP67
Colour code	yellow RAL 1012
Colour of appliance	Hinged lid yellow RAL 1012, Bayonet ring grey RAL 7035, Cable gland grey RAL 7035, Housing cover grey RAL 7035, Collar grey RAL 7035
Connection design	screw terminal as box terminal with Kontex-contact
Maximum conductor size	50.0 qmm
Cable entry	with cable gland
Height	295mm
Width	125mm
Depth	128mm
Material of enclosure	Polyamide
Contacts	The contact carrier is made of high temperature resistant material, the contacts are brass nickel plated

Additional technical information	
	For cable diameter from 26 up to max. 50 mm, Multi-Grip cable gland with gasket and integrated strain relief

Logistics data	
Weight/pcs	1.13 kg / Piece
Packaging	Bag
Content amount	1 ST

Logistics data	
EAN	4024941031905
Length	128 mm
Width	125 mm
Height	295 mm
Weight	1.131 kg
Volume	4,720 ccm
Packaging	Carton
Content amount	5 ST
EAN	4024941835367
Length	345 mm
Width	345 mm
Height	217 mm
Weight	5.985 kg
Volume	24,276 ccm



Ampere Polzahl	125 3	125 4	125 5
ø a	125,0	125,0	125,0
ø e	50,0	50,0	50,0
x	290,0	290,0	290,0
y	125,0	125,0	125,0
z	130,0	130,0	130,0
Cond. mm² min	16,0	16,0	16,0
Cond. mm² max	50,0	50,0	50,0



