

connector - with TE screw terminals, for harsh applications



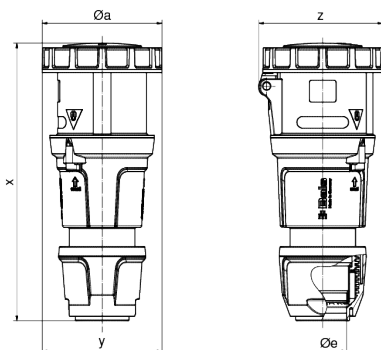
Product description	
BALS-Prd.-Nr	3196
EAN	4024941031967
Product category	TE connector
Current	125A
Number of poles	4p
Arrangement of phases	3P+PE
Position of earth contact	7 h
Voltage	480 - 500V~

Product description	
Frequency	50/60Hz
Protection degree	IP67
Colour code	black RAL 9005
Colour of appliance	Hinged lid black RAL 9005, Collar black RAL 9005, Pusher black RAL 9005, Housing cover dark grey RAL 7012, Cable gland dark grey RAL 7012, Bajonet ring dark grey RAL 7012
Connection design	screw terminal as box terminal with Kontex-contact
Maximum conductor size	50.0 qmm
Cable entry	with cable gland
Height	295mm
Width	125mm
Depth	128mm
Material of enclosure	Polyamide
Contacts	The contact carrier is made of high temperature resistant material, the contacts are brass nickel plated

Additional technical information	
	For cable diameter from 26 up to max. 50 mm, Multi-Grip cable gland with gasket and integrated strain relief

Logistics data	
Weight/pcs	1.205 kg / Piece
Packaging	Bag

Logistics data	
Content amount	1 ST
EAN	4024941031967
Length	128 mm
Width	125 mm
Height	295 mm
Weight	1.206 kg
Volume	4,720 ccm
Packaging	Carton
Content amount	5 ST
EAN	4024941954945
Length	345 mm
Width	345 mm
Height	217 mm
Weight	6.36 kg
Volume	24,276 ccm



	125	125	125
Ampere	3	4	5
Polzahl	3	4	5
Ø a	125,0	125,0	125,0
Ø e	50,0	50,0	50,0
x	290,0	290,0	290,0
y	125,0	125,0	125,0
z	130,0	130,0	130,0
Cond. mm² min	16,0	16,0	16,0
Cond. mm² max	50,0	50,0	50,0



