

Connector - with screwless terminals for harsh applications



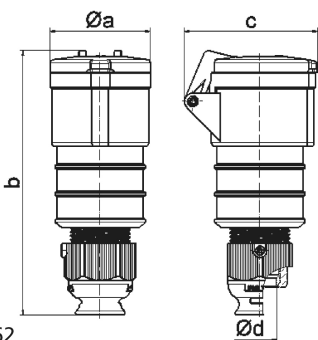
| Product description | |
|---------------------------|----------------------------|
| BALS-Prd.-Nr | 31975 |
| EAN | 4024941319751 |
| Product category | QUICK-CONNECT TE connector |
| Current | 32A |
| Number of poles | 4p |
| Arrangement of phases | 3P+PE |
| Position of earth contact | 6 h |
| Voltage | 380 - 415V~ |

| Product description | |
|------------------------|--|
| Frequency | 50/60Hz |
| Protection degree | IP44 |
| Colour code | red RAL 3000 |
| Colour of appliance | Hinged lid red RAL 3000, Enclosure red RAL 3000, Cable gland grey RAL 7035 |
| Connection design | screwless spring terminals with KONTEX-contact |
| Maximum conductor size | 6,0 qmm |
| Cable entry | with cable gland |
| Height | 198mm |
| Width | 66mm |
| Depth | 91mm |
| Material of enclosure | Polyamide |
| Contacts | the contact carrier is made of high temperature resistant material, the contacts are brass nickel plated |

| Additional technical information | |
|----------------------------------|--|
| | For cable diameter from 11 up to max. 23,5 mm, MULTI-GRIP cable gland with gasket, integrated cable clamp and additional water evacuation openings |

| Logistics data | |
|----------------|------------------|
| Weight/pcs | 0.268 kg / Piece |
| Packaging | Bag |
| Content amount | 1 ST |

| Logistics data | |
|----------------|---------------|
| EAN | 4024941319751 |
| Length | 91 mm |
| Width | 66 mm |
| Height | 198 mm |
| Weight | 0.269 kg |
| Volume | 1,190.135 ccm |
| Packaging | Carton |
| Content amount | 10 ST |
| EAN | 4024941828123 |
| Length | 325 mm |
| Width | 217 mm |
| Height | 210 mm |
| Weight | 2.886 kg |
| Volume | 13,588.4 ccm |



| Ampere | 16 | 16 | 16 | 32 | 32 | 32 |
|----------------------------|-------|-------|-------|-------|-------|-------|
| Polzahl | 3 | 4 | 5 | 3 | 4 | 5 |
| a ø | 51,0 | 58,0 | 65,0 | 66,5 | 66,5 | 72,0 |
| b | 156,0 | 162,0 | 168,0 | 195,0 | 195,0 | 198,0 |
| c | 72,0 | 78,0 | 86,0 | 89,0 | 89,0 | 99,0 |
| d ø | 18,0 | 18,0 | 21,0 | 23,0 | 23,0 | 27,0 |
| Leiter mm ² min | 1 | 1 | 1 | 2,5 | 2,5 | 2,5 |
| Leiter mm ² max | 2,5 | 2,5 | 2,5 | 6 | 6 | 6 |
| | | | | | | |
| | | | | | | |
| | | | | | | |
| | | | | | | |

3 MB 62