

## wall mounting socket outlet low voltage - housing dimensions 80x70



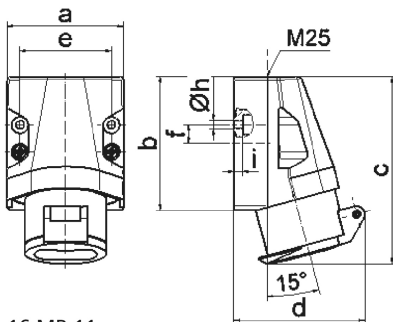
Product description	
BALS-Prd.-Nr	4107
EAN	4024941041072
Product category	ELV wall mounting socket outlet
Current	16A
Number of poles	3p
Arrangement of phases	3P
Position of earth contact	10 h
Frequency	DC

Product description	
Protection degree	IP44
Colour code	grey RAL 7035
Colour of appliance	Hinged lid grey RAL 7035, Collar grey RAL 7035, Housing bottom grey RAL 7035, Housing top grey RAL 7035
Connection design	with screw terminal
Maximum conductor size	10,0 qmm
Cable entry	top entry M25
Height	113mm
Width	70mm
Depth	79mm
Dimension of enclosure	80x70 mm (HxW)
Material of enclosure	Polyamide
Contacts	The contact carrier is made of polyamide, the contacts are brass nickel plated

Additional technical information	
	The cable entry is one at top open

Logistics data	
Weight/pcs	0.194 kg / Piece
Packaging	Bag
Content amount	1 ST
EAN	4024941041072

Logistics data	
Length	80 mm
Width	71 mm
Height	114 mm
Weight	0.195 kg
Volume	647.52 ccm
Packaging	Carton
Content amount	10 ST
EAN	4024941836524
Length	245 mm
Width	177 mm
Height	185 mm
Weight	2.073 kg
Volume	7,140 ccm



16 MB 11

Ampere	16	16	32	32		
Polzahl	2	3	2	3		
a	70,0	70,0	70,0	70,0		
b	80,0	80,0	80,0	80,0		
c	113,0	113,0	113,0	113,0		
d	80,0	80,0	80,0	80,0		
e	55,0	55,0	55,0	55,0		
f	11,0	11,0	11,0	11,0		
h ø	5,2	5,2	5,2	5,2		
i	5,0	5,0	5,0	5,0		
Leiter mm² min	4	4	4	4		
Leiter mm² max	10	10	10	10		