

## Wall mounting socket outlet low voltage - housing dimensions 80x70



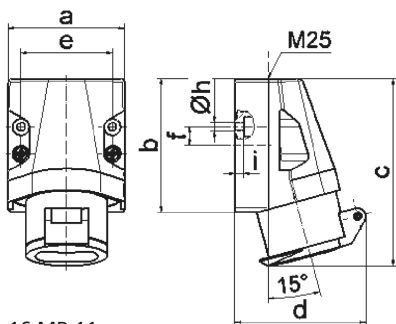
| Product description       |                                 |
|---------------------------|---------------------------------|
| BALS-Prd.-Nr              | 4157                            |
| EAN                       | 4024941041577                   |
| Product category          | ELV wall mounting socket outlet |
| Current                   | 32A                             |
| Number of poles           | 3p                              |
| Arrangement of phases     | 3P                              |
| Position of earth contact | 10 h                            |
| Frequency                 | DC                              |

| Product description    |   |
|------------------------|---|
| Protection degree      | IP44  |
| Colour code            | grey RAL 7035   |
| Colour of appliance    | Hinged lid grey RAL 7035, Housing bottom grey RAL 7035, Housing top grey RAL 7035, Collar grey RAL 7035 |
| Connection design      | with screw terminal   |
| Maximum conductor size | 10,0 qmm  |
| Cable entry            | top entry M25   |
| Height                 | 113mm   |
| Width                  | 70mm  |
| Depth                  | 79mm  |
| Dimension of enclosure | 80x70 mm (HxW)  |
| Material of enclosure  | Polyamide   |
| Contacts               | the contact carrier is made of polyamide, the contacts are brass nickel plated                          |

| Additional technical information |                                    |
|----------------------------------|------------------------------------|
|                                  | The cable entry is one at top open |

| Logistics data |                |
|----------------|----------------|
| Weight/pcs     | 0.2 kg / Piece |
| Packaging      | Bag            |
| Content amount | 1 ST           |
| EAN            | 4024941041577  |

| Logistics data |               |
|----------------|---------------|
| Length         | 80 mm         |
| Width          | 71 mm         |
| Height         | 114 mm        |
| Weight         | 0.201 kg      |
| Volume         | 647.52 ccm    |
| Packaging      | Carton        |
| Content amount | 10 ST         |
| EAN            | 4024941836531 |
| Length         | 245 mm        |
| Width          | 177 mm        |
| Height         | 185 mm        |
| Weight         | 2.133 kg      |
| Volume         | 7,140 ccm     |



| Ampere                     | 16    | 16    | 32    | 32    |  |  |
|----------------------------|-------|-------|-------|-------|--|--|
| Polzahl                    | 2     | 3     | 2     | 3     |  |  |
| a                          | 70,0  | 70,0  | 70,0  | 70,0  |  |  |
| b                          | 80,0  | 80,0  | 80,0  | 80,0  |  |  |
| c                          | 113,0 | 113,0 | 113,0 | 113,0 |  |  |
| d                          | 80,0  | 80,0  | 80,0  | 80,0  |  |  |
| e                          | 55,0  | 55,0  | 55,0  | 55,0  |  |  |
| f                          | 11,0  | 11,0  | 11,0  | 11,0  |  |  |
| h ø                        | 5,2   | 5,2   | 5,2   | 5,2   |  |  |
| i                          | 5,0   | 5,0   | 5,0   | 5,0   |  |  |
| Leiter mm <sup>2</sup> min | 4     | 4     | 4     | 4     |  |  |
| Leiter mm <sup>2</sup> max | 10    | 10    | 10    | 10    |  |  |
|                            |       |       |       |       |  |  |
|                            |       |       |       |       |  |  |