

## Panel mounting socket outlet low voltage - flange 100x92 fixing centers 85x77 angled execution

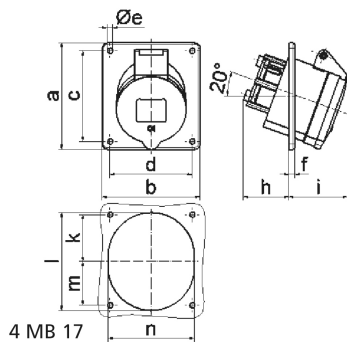


Product description	
BALS-Prd.-Nr	4201
EAN	4024941042017
Product category	ELV panel mounting socket Outlet, angled
Current	63A
Number of poles	3p
Arrangement of phases	3P
Position of earth contact	6 h
Voltage	20 up to 25v

Product description	
Frequency	50/60Hz
Protection degree	IP44
Colour code	violet RAL 4005
Colour of appliance	Enclosure grey RAL 7035, Hinged lid violet RAL 4005
Connection design	with screw terminal
Maximum conductor size	16,0 qmm
Cable entry	other
Height	100mm
Width	92mm
Depth	89mm
Flange size vertical in mm	100mm
Flange size horizontal in mm	92mm
Drill hole dist. vertical mm	85mm
Drill hole dist. horizontal mm	77mm
Material of enclosure	Polyamide
Contacts	the contact carrier is made of high temperature resistant material, the contacts are brass nickel plated

Additional technical information	
	The inclination is 20°

Logistics data	
Weight/pcs	0.29 kg / Piece
Packaging	Carton
Content amount	10 ST
EAN	4024941879347
Length	258 mm
Width	183 mm
Height	212 mm
Weight	3.052 kg
Volume	8,750 ccm



4 MB 17

Ampere	63	63					
Polzahl	2	3					
a	100,0	100,0					
b	92,0	92,0					
c	85,0	85,0					
d	77,0	77,0					
e	5,1	5,1					
f	5,5	5,5					
h	42,0	42,0					
i	57,0	57,0					
k	44,0	44,0					
l	80,0	80,0					
m	41,0	41,0					
n	80,0	80,0					