

panel mounting socket outlet low voltage - flange 100x92,  
fixing centers 85x77, angled execution



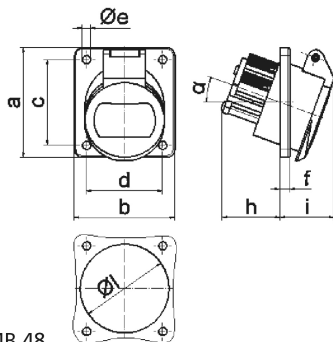
Product description	
BALS-Prd.-Nr	4232
EAN	4024941042321
Product category	ELV panel mounting socket Outlet, angled
Current	16A
Number of poles	3p
Arrangement of phases	3P
Position of earth contact	3 h
Frequency	400Hz

Product description	
Protection degree	IP44
Colour code	green RAL 6002
Colour of appliance	Hinged lid green RAL 6002, Enclosure grey RAL 7035
Connection design	with screw terminal
Maximum conductor size	10,0 qmm
Cable entry	other
Height	100mm
Width	92mm
Depth	70mm
Flange size vertical in mm	100mm
Flange size horizontal in mm	92mm
Drill hole dist. vertical mm	85mm
Drill hole dist. horizontal mm	77mm
Material of enclosure	Polyamide
Contacts	The contact carrier is made of polyamide, the contacts are brass nickel plated

Additional technical information	
	The inclination is 20°

Logistics data	
Weight/pcs	0.165 kg / Piece

Logistics data	
Packaging	Bag
Content amount	1 ST
EAN	4024941042321
Length	71 mm
Width	93 mm
Height	101 mm
Weight	0.166 kg
Volume	666.903 ccm
Packaging	Carton
Content amount	10 ST
EAN	4024941837187
Length	245 mm
Width	177 mm
Height	185 mm
Weight	1.783 kg
Volume	7,140 ccm



16 MB 48

Ampere	16	16	32	32		
Polzahl	2	3	2	3		
a	100,0	100,0	100,0	100,0		
b	92,0	92,0	92,0	92,0		
c	85,0	85,0	85,0	85,0		
d	77,0	77,0	77,0	77,0		
e Ø	5,2	5,2	5,2	5,2		
f	6,0	6,0	6,0	6,0		
h	36,0	36,0	36,0	36,0		
i	35,0	35,0	35,0	35,0		
α	20°	20°	20°	20°		
l Ø	55,0	55,0	55,0	55,0		
Leiter mm² min	4	4	4	4		
Leiter mm² max	10	10	10	10		