

plug low voltage - with cable gland, Multi-Grip



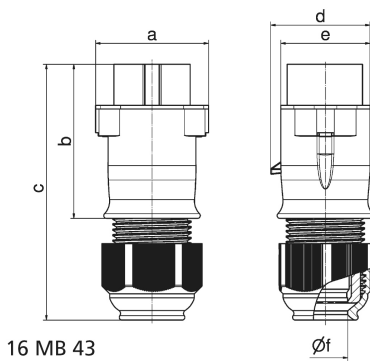
Product description	
BALS-Prd.-Nr	4481
EAN	4024941044813
Product category	ELV plug
Current	16A
Number of poles	3p
Arrangement of phases	3P
Position of earth contact	10 h
Frequency	DC
Protection degree	IP44

Product description	
Colour code	grey RAL 7035
Colour of appliance	Collar grey RAL 7035, Housing cover grey RAL 7035, Cable gland grey RAL 7035
Connection design	with screw terminal
Maximum conductor size	10,0 qmm
Cable entry	with cable gland
Height	141mm
Width	62mm
Depth	57mm
Material of enclosure	Polyamide
Contacts	The contact carrier is made of polyamide, the contacts are brass nickel plated

Additional technical information	
	Multi-Grip cable gland with gasket and integrated strain relief, For cable diameter from 11 up to max. 23,5 mm

Logistics data	
Weight/pcs	0.159 kg / Piece
Packaging	Bag
Content amount	1 ST
EAN	4024941044813
Length	57 mm

Logistics data	
Width	62 mm
Height	141 mm
Weight	0.16 kg
Volume	498.294 ccm
Packaging	Carton
Content amount	10 ST
EAN	4024941837576
Length	248 mm
Width	158 mm
Height	123 mm
Weight	1.687 kg
Volume	3,960 ccm



Ampere	16	16	32	32		
Polzahl	2	3	2	3		
a	62,0	62,0	62,0	62,0		
b	85,0	85,0	85,0	85,0		
c	140,0	140,0	140,0	140,0		
d	55,0	55,0	55,0	55,0		
e	50,0	50,0	50,0	50,0		
f Ø	24,5	24,5	24,5	24,5		
Leiter mm ² min	4	4	4	4		
Leiter mm ² max	10	10	10	10		