

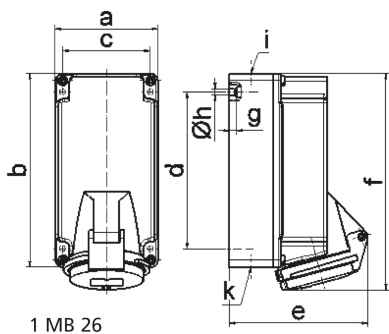
Surface-mounting distributor - plastic



| Product description | |
|---------------------|---|
| BALS-Prd.-Nr | 51012182 |
| EAN | 4024941364539 |
| Product category | Distributor, plastic, wall mounting |
| Specification/Norm | DIN EN 61439-2 |
| Protection degree | IP44 |
| Colour of appliance | Housing bottom grey RAL 7035, Housing top grey RAL 7035 |
| Height | 170mm |
| Width | 90mm |
| Depth | 86mm |

| Product description | |
|---------------------|----|
| Nominal current InA | 16 |

| Logistics data | |
|----------------|------------------|
| Weight/pcs | 0.664 kg / Piece |
| Packaging | Carton |
| Content amount | 1 ST |
| EAN | 4024941364539 |
| Length | 205 mm |
| Width | 102 mm |
| Height | 134 mm |
| Weight | 0.724 kg |
| Volume | 2,118.48 ccm |



| | 16 | 16 | 16 | | | | |
|----------------------------|--------|--------|--------|--|--|--|--|
| Ampere | 16 | 16 | 16 | | | | |
| Polzahl | 3 | 4 | 5 | | | | |
| a | 90,0 | 90,0 | 90,0 | | | | |
| b | 170,0 | 170,0 | 170,0 | | | | |
| c | 77,0 | 77,0 | 77,0 | | | | |
| d | 137,5 | 137,5 | 137,5 | | | | |
| e | 109,0 | 115,0 | 124,0 | | | | |
| f | 188,0 | 189,0 | 190,0 | | | | |
| g | 6,5 | 6,5 | 6,5 | | | | |
| h \varnothing | 5,5 | 5,5 | 5,5 | | | | |
| i | M20 | M20 | M20 | | | | |
| k | M20/25 | M20/25 | M20/25 | | | | |
| Leiter mm ² min | 1,5 | 1,5 | 1,5 | | | | |
| Leiter mm ² max | 4 | 4 | 4 | | | | |

