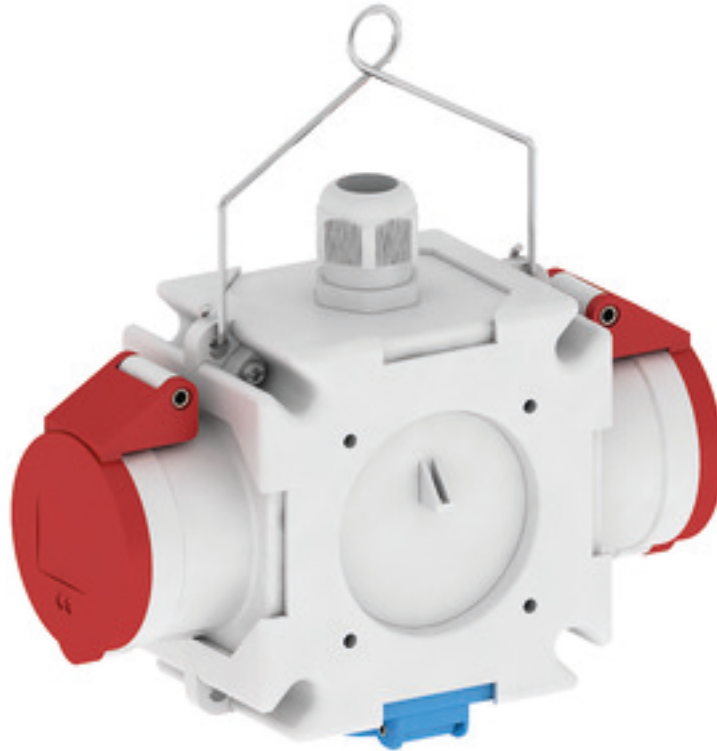


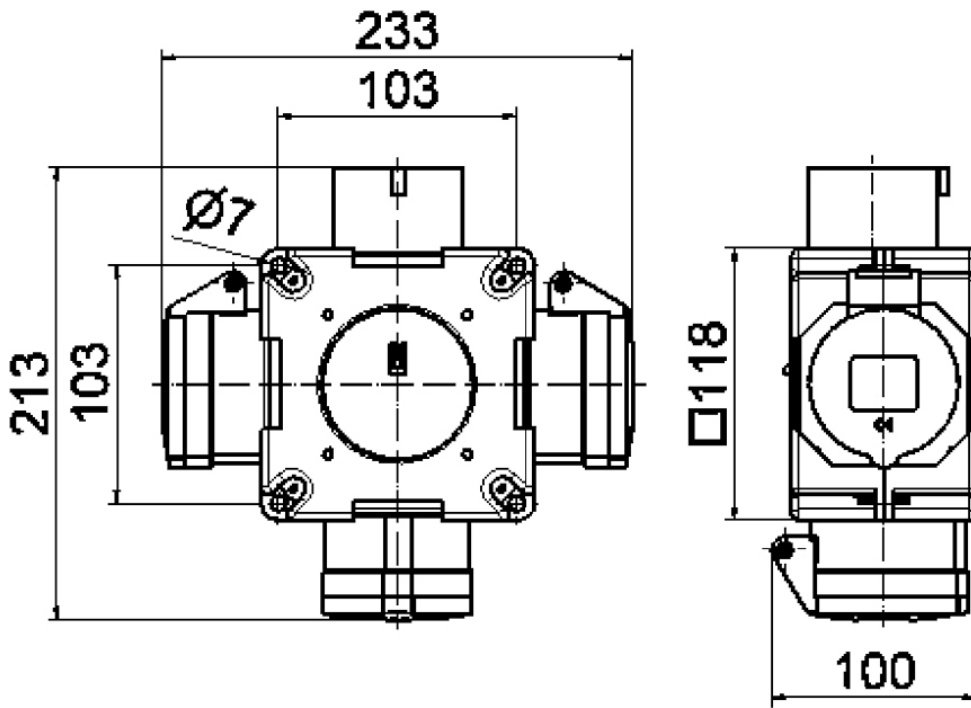
Cross distributors - Cross distributor



Product description	
BALS-Prd.-Nr	540055
EAN	4024941104197
Product category	Cross distributor
Specification/Norm	DIN EN 61439-2
Protection degree	IP44
Colour of appliance	Housing bottom grey RAL 7035, Housing top grey RAL 7035
Height	118mm
Width	118mm
Depth	80mm

Product description	
RDF factor	0.33
Nominal current InA	16

Logistics data	
Weight/pcs	0.614 kg / Piece
Packaging	Carton
Content amount	2 ST
EAN	4024941376648
Length	245 mm
Width	177 mm
Height	185 mm
Weight	1.361 kg
Volume	7,140 ccm



30 MB 061