

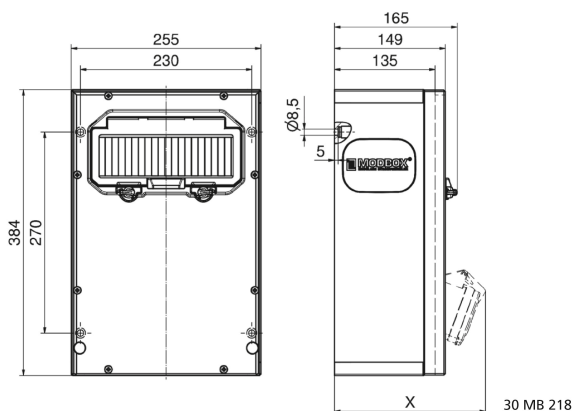
Surface-mounting distributor - rubber - MODBOX - MIDI



Product description	
BALS-Prd.-Nr	5401891
EAN	4024941002431
Product category	MODBOX - MIDI
Protection degree	IP44
Colour of appliance	Housing bottom similar black RAL 9017, Housing top similar black RAL 9017
Height	384mm
Width	255mm
Depth	135mm
RDF factor	0.68

Product description	
Nominal current InA	63

Logistics data	
Weight/pcs	10.758 kg / Piece
Packaging	Carton
Content amount	1 ST
EAN	4024941002431
Length	240 mm
Width	280 mm
Height	480 mm
Weight	11.148 kg
Volume	32,256 ccm


Tiefenmaß/ depth X (mm)

Bezeichnung/ with	IP44	IP67
OTC-Klappe/ OTC operating window	165	165
Schutzk. Steckdose/domestic socket	152	195
CEE 16A 3p	190	190
CEE 16A 4p	194	192
CEE 16A 5p	197	195
CEE 32A 3p/4p	201	203
CEE 32A 5p	203	204
CEE 63A 3p/4p/5p	219	221