

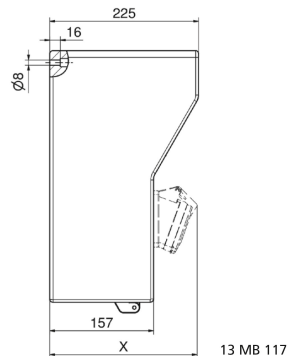
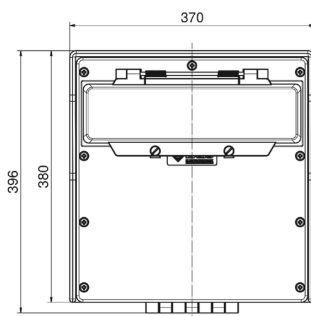
Surface-mounting distributor - rubber - Distributor - solid rubber - wall mounting



| Product description | |
|---------------------|---|
| BALS-Prd.-Nr | 5402052 |
| EAN | 4024941948715 |
| Product category | Distributor, solid rubber, wall mounting |
| Specification/Norm | DIN EN 61439-2 |
| Protection degree | IP44 |
| Colour of appliance | Housing bottom similar black RAL 9017, Housing top similar black RAL 9017 |
| Height | 380mm |
| Width | 370mm |

| Product description | |
|---------------------|-------|
| Depth | 225mm |
| RDF factor | 0.65 |
| Nominal current InA | 63 |

| Logistics data | |
|----------------|-------------------|
| Weight/pcs | 15.098 kg / Piece |
| Packaging | Carton |
| Content amount | 1 ST |
| EAN | 4024941948715 |
| Length | 610 mm |
| Width | 410 mm |
| Height | 430 mm |
| Weight | 16.204 kg |
| Volume | 98,400 ccm |


Tiefenmaß/ depth X (mm)

| Bezeichnung/ with | IP44 | IP67 |
|------------------------------------|------|------|
| Schutzk. Steckdose/domestic socket | 172 | 215 |
| CEE 16A 3p | 210 | 210 |
| CEE 16A 4p | 214 | 212 |
| CEE 16A 5p | 217 | 215 |
| CEE 32A 3p/4p | 221 | 223 |
| CEE 32A 5p | 223 | 224 |
| CEE 63A 3p/4p/5p | 239 | 241 |