

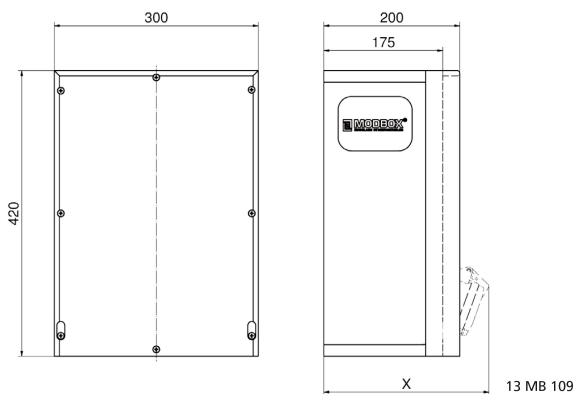
## Surface-mounting distributor - rubber



Product description	
BALS-Prd.-Nr	5402780
EAN	4024941979665
Product category	MODBOX
Specification/Norm	DIN EN 61439-2
Protection degree	IP44
Colour of appliance	Housing bottom similar black RAL 9017, Housing top similar black RAL 9017
Height	420mm
Width	300mm
Depth	200mm

Product description	
RDF factor	1
Nominal current InA	32

Logistics data	
Weight/pcs	13.702 kg / Piece
Packaging	Carton
Content amount	1 ST
EAN	4024941979665
Length	320 mm
Width	346 mm
Height	511 mm
Weight	14.412 kg
Volume	56,577.92 ccm


**Tiefenmaß/ depth X (mm)**

Bezeichnung/ with	IP44	IP67
Schutzk. Steckdose/domestic socket	192	235
CEE 16A 3p	230	230
CEE 16A 4p	234	232
CEE 16A 5p	237	235
CEE 32A 3p/4p	241	243
CEE 32A 5p	243	244
CEE 63A 3p/4p/5p	259	261