

## Portable distributor - rubber - UNI - BLOCK - portable

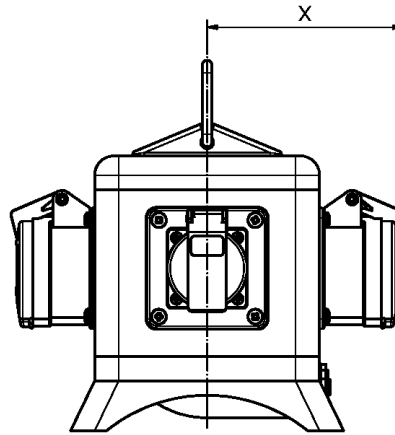
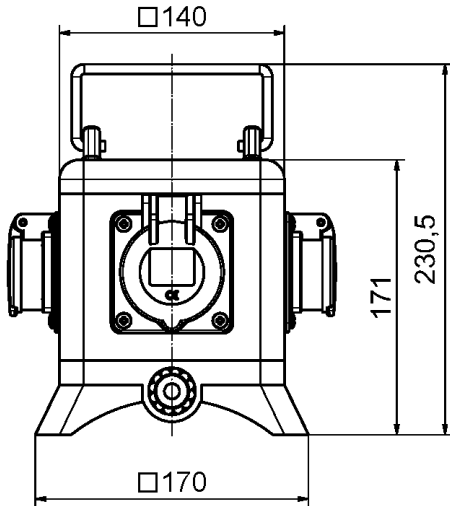


| Product description |  |
|---------------------|--|
| BALS-Prd.-Nr        | 57255  |
| EAN                 | 4024941572552  |
| Product category    | UNI - BLOCK, portable  |
| Specification/Norm  | DIN EN 61439-2   |
| Protection degree   | IP44   |
| Colour of appliance | Housing bottom similar black RAL 9017, Housing top similar yellow RAL 1021 |
| Height              | 171mm  |
| Width               | 140mm  |
| Depth               | 140mm  |

| Product description |      |
|---------------------|------|
| RDF factor          | 0.61 |
| Nominal current InA | 16   |

| Logistics data |                  |
|----------------|------------------|
| Weight/pcs     | 3.586 kg / Piece |
| Packaging      | Carton           |
| Content amount | 1 ST             |
| EAN            | 4024941572552    |
| Length         | 325 mm           |
| Width          | 217 mm           |
| Height         | 210 mm           |
| Weight         | 3.788 kg         |
| Volume         | 13,588.4 ccm     |

| Metal surcharges            |                           |
|-----------------------------|---------------------------|
| Surcharge type              | Kupfer                    |
| Materialbase                | 150 EUR per 100 Kilogram  |
| Included weight of material | 0.24 Kilogram per 1 Piece |



Maße in X

|                    |              | IP44 | IP67 | IP54 |
|--------------------|--------------|------|------|------|
| gerade             | 16A 3pol.    | 121  | 127  |      |
| gerade             | 16A 4pol.    | 123  | 128  |      |
| gerade             | 16A 5pol.    | 127  | 128  |      |
| gerade             | 32A 3u.4pol. | 130  | 135  |      |
| gerade             | 32A 5pol.    | 130  | 130  |      |
| geneigt            | 16A 3pol.    | 120  | 127  |      |
| geneigt            | 16A 4pol.    | 121  | 127  |      |
| geneigt            | 16A 5pol.    | 124  | 130  |      |
| geneigt            | 32A 3u.4pol. | 130  | 135  |      |
| geneigt            | 32A 5pol.    | 139  | 139  |      |
| gerade             | Schuko       | 98,5 | 114  | 106  |
| Absicherungsklappe |              | 90   |      |      |

