

Portable distributor - rubber - UNI - BLOCK - portable

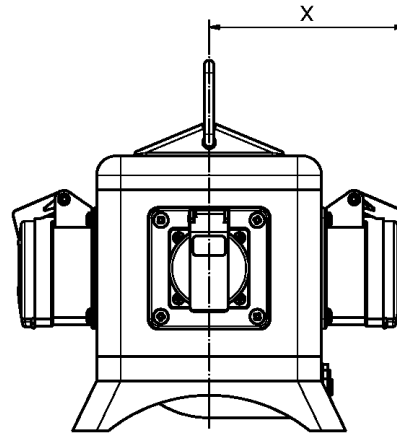
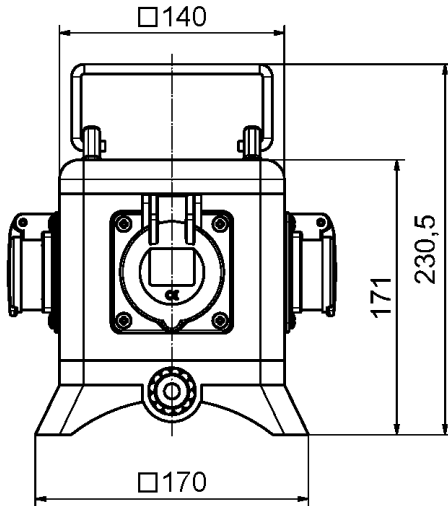


Product description	
BALS-Prd.-Nr	57623
EAN	4024941576239
Product category	UNI - BLOCK, portable
Specification/Norm	DIN EN 61439-2
Protection degree	IP44
Colour of appliance	Housing bottom similar black RAL 9017, Housing top similar yellow RAL 1021
Height	171mm
Width	140mm
Depth	140mm

Product description	
RDF factor	1
Nominal current InA	16

Logistics data	
Weight/pcs	3.164 kg / Piece
Packaging	Carton
Content amount	1 ST
EAN	4024941576239
Length	335 mm
Width	283 mm
Height	268 mm
Weight	3.514 kg
Volume	21,937.5 ccm

Metal surcharges	
Surcharge type	Kupfer
Materialbase	150 EUR per 100 Kilogram
Included weight of material	0.288 Kilogram per 1 Piece



Maße in X

		IP44	IP67	IP54
gerade	16A 3pol.	121	127	
gerade	16A 4pol.	123	128	
gerade	16A 5pol.	127	128	
gerade	32A 3u.4pol.	130	135	
gerade	32A 5pol.	130	130	
geneigt	16A 3pol.	120	127	
geneigt	16A 4pol.	121	127	
geneigt	16A 5pol.	124	130	
geneigt	32A 3u.4pol.	130	135	
geneigt	32A 5pol.	139	139	
gerade	Schuko	98,5	114	106
Absicherungsklappe		90		



