

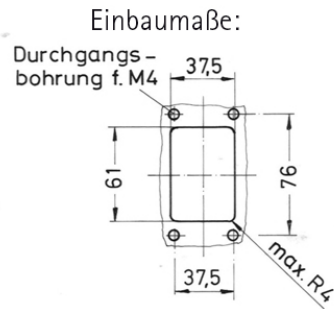
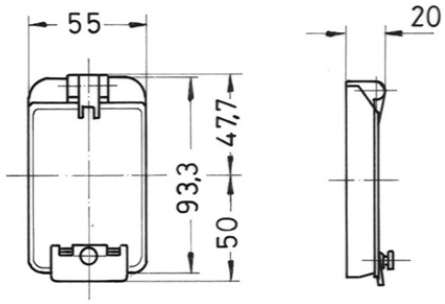
## Accessories distributor



Product description	
BALS-Prd.-Nr	58511
EAN	4024941585118
Product category	operating flaps
VG-type-no.:	VG6950-11A0001
Supply no.:	5975-12-359-3827
Protection degree	IP44
Colour code	black RAL 9005
Height	93.5mm
Width	55mm

Product description	
Depth	20mm
Modules TE	2 TE without protection against accidental contact

Logistics data	
Weight/pcs	0.053 kg / Piece
Packaging	Bag
Content amount	1 ST
EAN	4024941585118
Length	20 mm
Width	55 mm
Height	93.5 mm
Weight	0.054 kg
Volume	102.85 ccm
Packaging	Carton
Content amount	18 ST
EAN	4024941823975
Length	205 mm
Width	102 mm
Height	134 mm
Weight	1.014 kg
Volume	2,118.48 ccm



30 MB 82

