

## Accessories distributor - USB charging socket



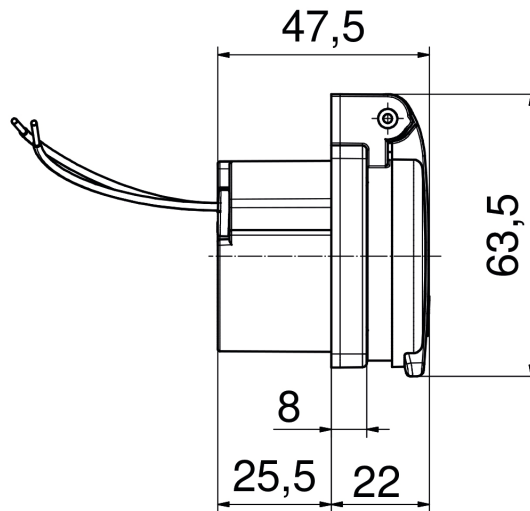
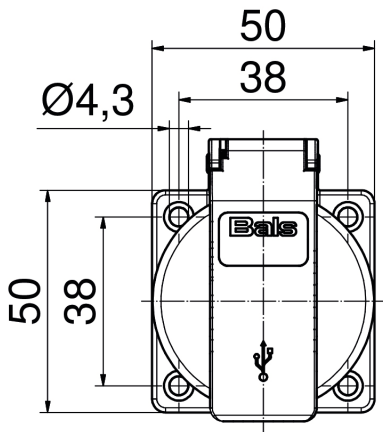
Product description	
BALS-Prd.-Nr	700
EAN	4024941926836
Product category	USB charging panel mounting socket outlet
Current	2.1A
Number of poles	2p
Voltage	5V~
Frequency	DC
Protection degree	IP54
Colour code	yellow RAL 1012

Product description	
Colour of appliance	Hinged lid yellow RAL 1012, Enclosure yellow RAL 1012
Connection design	connecting cable 2x 0,8mm <sup>2</sup> x 650mm
Height	61.5mm
Width	50mm
Depth	48.9mm
Flange size vertical in mm	50mm
Flange size horizontal in mm	50mm
Drill hole dist. vertical mm	38mm
Drill hole dist. horizontal mm	38mm
Material of enclosure	Polyamide
Contacts	2x USB type A

Additional technical information	
	The connection is rear, integrated fuse 250V / 3.15A, Input: 100 - 240V AC 0.23A, hinged lid positioning at 90 ° for easy insertion and removal, integrated strain relief for connecting cable, operating temperature 0-40 °C, We recommend the installation of a pre-fuse 1A e.g. type 581450 fuse terminal block 1p for DIN rail incl. 1A microfuse 5x20mm or type 581457 fuse holder 1p for "flying" wiring incl. 1A microfuse 5x20mm

Logistics data	
Weight/pcs	0.082 kg / Piece
Packaging	Bag
Content amount	1 ST

Logistics data	
EAN	4024941926836
Length	48.9 mm
Width	50 mm
Height	61.5 mm
Weight	0.083 kg
Volume	150.368 ccm
Packaging	Carton
Content amount	10 ST
EAN	4024941926997
Length	207 mm
Width	162 mm
Height	142 mm
Weight	0.92 kg
Volume	3,750 ccm



### Einbauöffnung

