

Panel mounting socket outlet straight - flange 65x72 System E Belgian/French standard

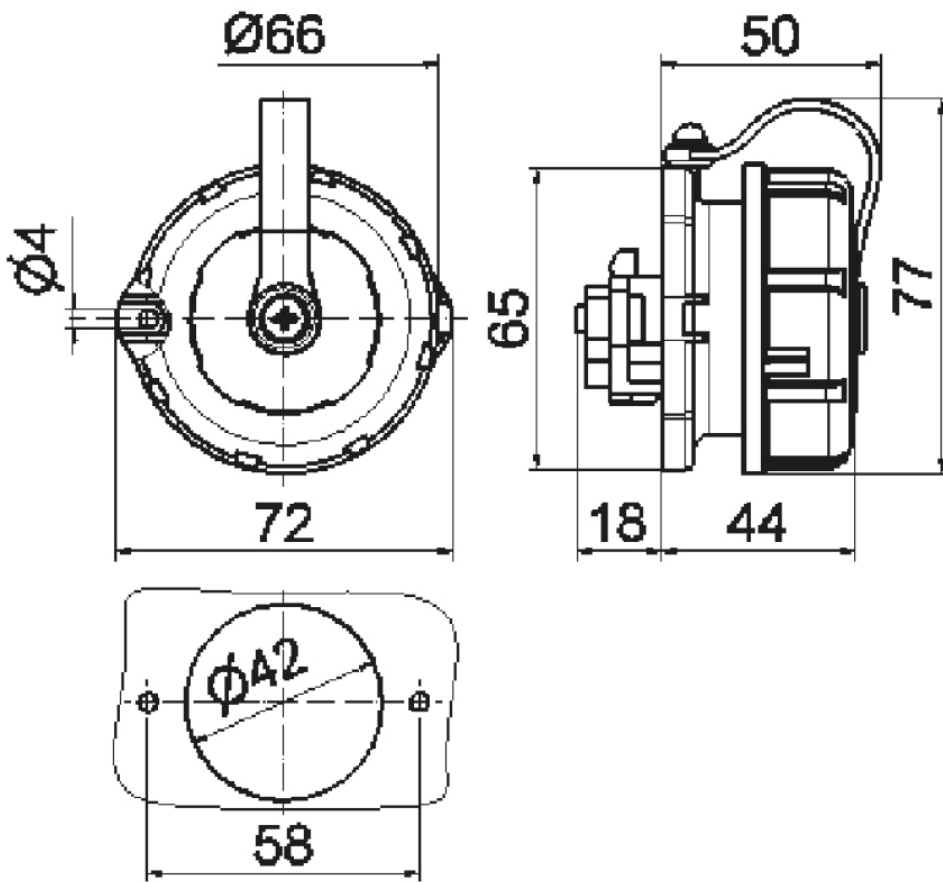


Product description	
BALS-Prd.-Nr	71029
EAN	4024941710299
Product category	Domestic panel mounting socket, System E Belgian/French standard
Current	16A
Number of poles	3p
Arrangement of phases	2P+PE
Voltage	250V~
Frequency	AC

Product description	
Protection degree	IP68
Colour code	blue RAL 5015
Colour of appliance	Enclosure blue RAL 5015, Hinged lid blue RAL 5015, Bayonet ring grey RAL 7035
Connection design	head-screw terminal
Maximum conductor size	4,0 qmm
Cable entry	other
Height	77mm
Width	72mm
Depth	62mm
Flange size vertical in mm	65mm
Flange size horizontal in mm	72mm
Drill hole dist. horizontal mm	58mm
Material of enclosure	Polyamide
Contacts	the contact carrier is made of high temperature resistant material, the contacts are brass nickel plated

Additional technical information	
	The flange is oval and has a two-point attachment of 58 mm, The connection is rear, With earth contact Belgian/French standard
	With hammer symbol
	With bayonet cover on strap

Logistics data	
Weight/pcs	0.112 kg / Piece
Packaging	Bag
Content amount	1 ST
EAN	4024941710299
Length	62 mm
Width	72 mm
Height	77 mm
Weight	0.113 kg
Volume	343.728 ccm
Packaging	Carton
Content amount	10 ST
EAN	4024941775908
Length	207 mm
Width	162 mm
Height	142 mm
Weight	1.22 kg
Volume	3,750 ccm



18 MB 21