

Panel mounting socket outlet straight - flange 50x50 System K Danish standard



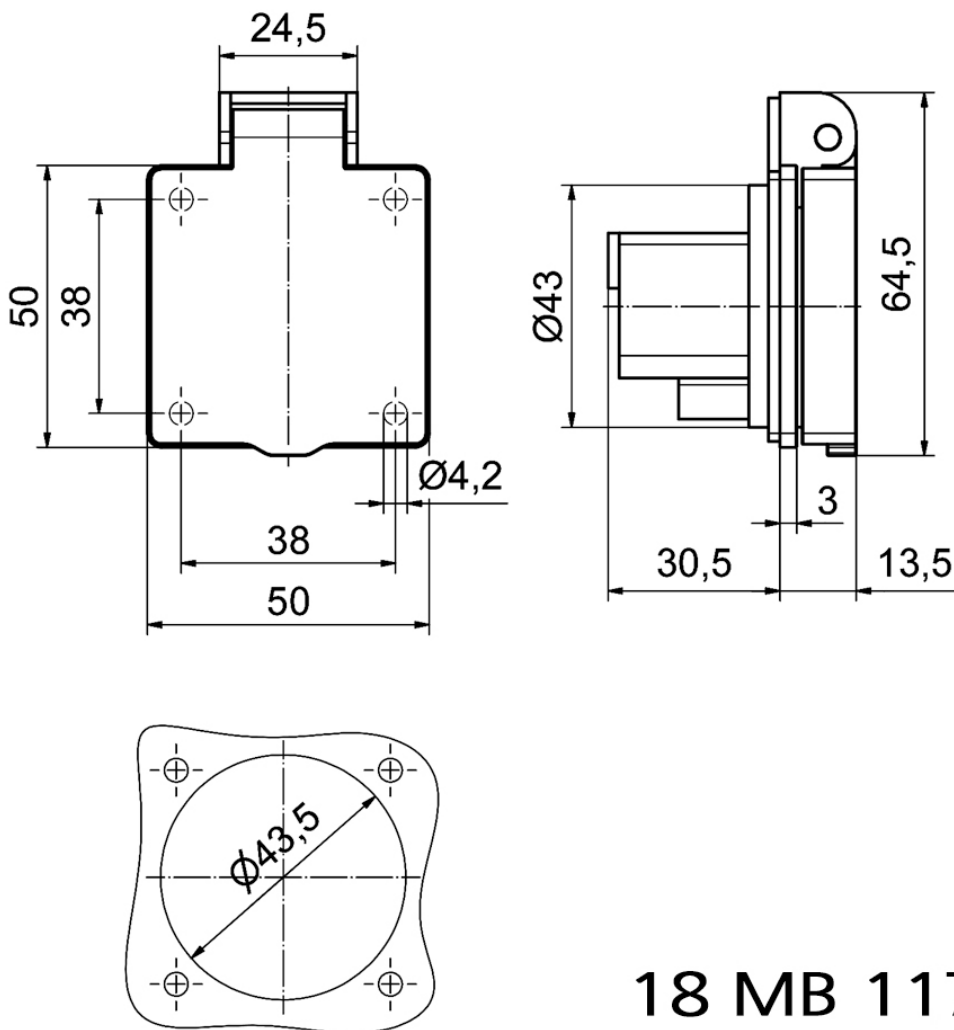
Product description	
BALS-Prd.-Nr	71071
EAN	4024941209571
Product category	Domestic panel mounting socket, System K Danish standard
Current	16A
Number of poles	3p
Arrangement of phases	2P+PE
Voltage	250V~
Frequency	AC

Product description	
Protection degree	IP54
Colour code	blue RAL 5015
Colour of appliance	Hinged lid blue RAL 5015
Connection design	with screw terminal
Maximum conductor size	4,0 qmm
Cable entry	other
Height	65mm
Width	50mm
Depth	44mm
Flange size vertical in mm	50mm
Flange size horizontal in mm	50mm
Drill hole dist. vertical mm	38mm
Drill hole dist. horizontal mm	38mm
Material of enclosure	plastic
Contacts	the contact carrier is made of polyamide, the contacts are brass nickel plated

Additional technical information	
	Danish standard

Logistics data	
Weight/pcs	0.049 kg / Piece

Logistics data	
Packaging	Bag
Content amount	1 ST
EAN	4024941209571
Length	44 mm
Width	50 mm
Height	65 mm
Weight	0.05 kg
Volume	143 ccm



18 MB 117