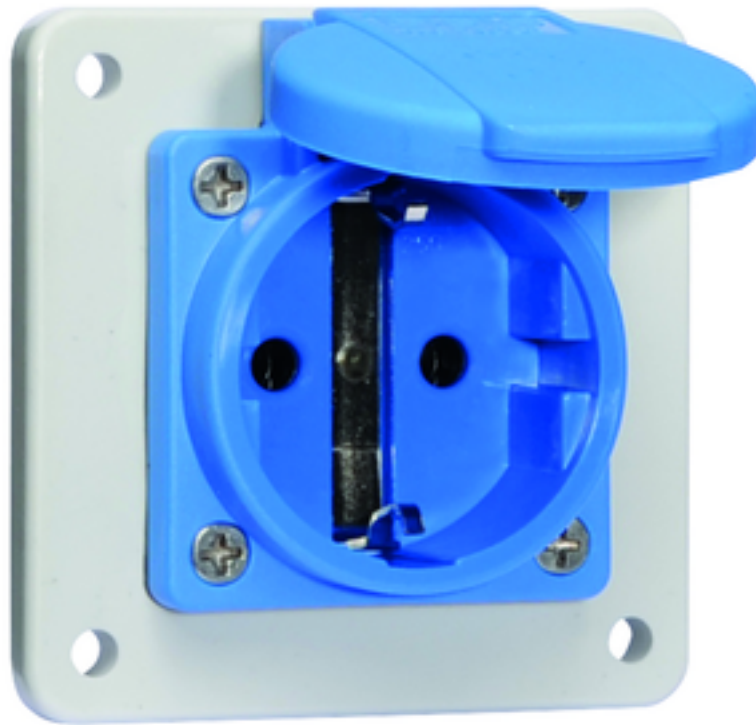


domestic panel mounting socket outlet, , for use in stationary distributor systems - flange 75x75, fixing centers 60x60

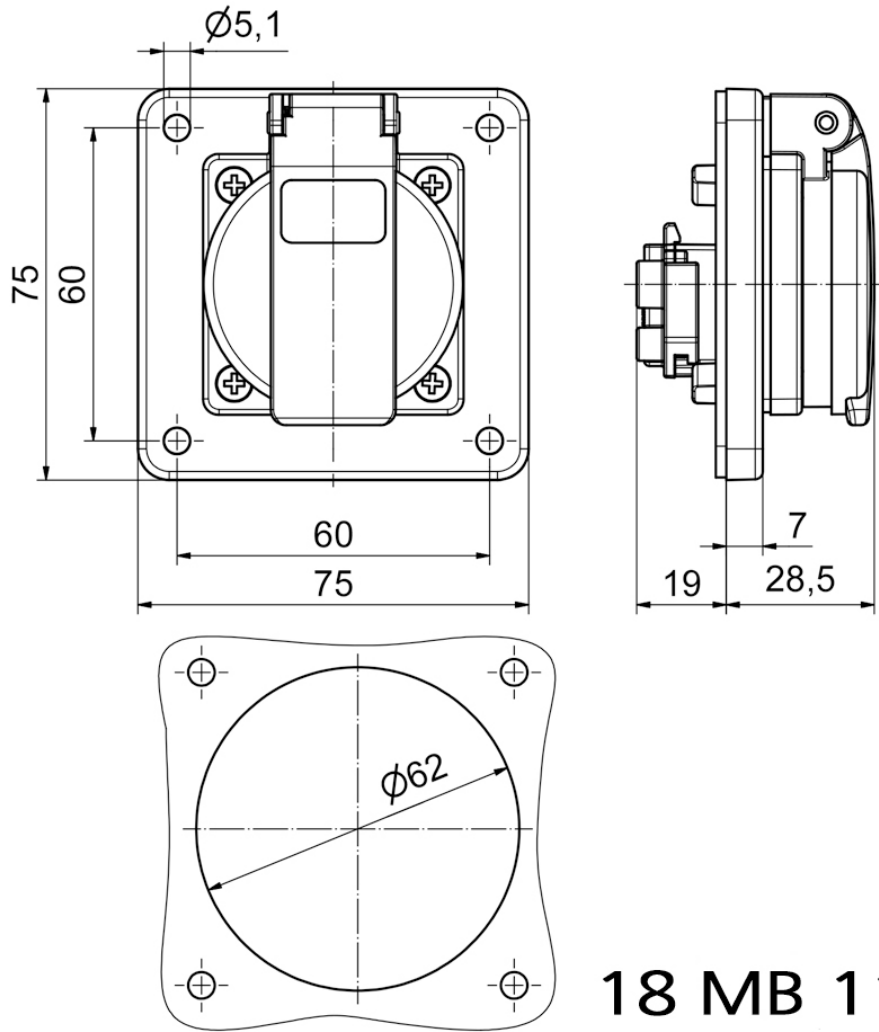


| Product description   |   |
|-----------------------|---|
| BALS-Prd.-Nr          | 71105   |
| EAN                   | 4024941962209   |
| Product category      | Domestic panel mounting socket outlet, straight, System F German standard |
| Current               | 16A   |
| Number of poles       | 3p  |
| Arrangement of phases | 2P+PE   |
| Voltage               | 250V~   |

| Product description            |  |
|--------------------------------|--|
| Frequency                      | AC   |
| Protection degree              | IP54   |
| Colour code                    | blue RAL 5015  |
| Colour of appliance            | Hinged lid blue RAL 5015, Enclosure blue RAL 5015                              |
| Connection design              | head-screw terminal  |
| Maximum conductor size         | 4,0 qmm  |
| Cable entry                    | other  |
| Height                         | 75mm   |
| Width                          | 75mm   |
| Depth                          | 47.5mm   |
| Flange size vertical in mm     | 75mm   |
| Flange size horizontal in mm   | 75mm   |
| Drill hole dist. vertical mm   | 60mm   |
| Drill hole dist. horizontal mm | 60mm   |
| Material of enclosure          | plastic  |
| Contacts                       | The contact carrier is made of polyamide, the contacts are brass nickel plated |

| Additional technical information |   |
|----------------------------------|---|
|                                  | For use in stationary distributor distributor systems,<br>The connection is rear, with german earthing system |

| Logistics data |                  |
|----------------|------------------|
| Weight/pcs     | 0.092 kg / Piece |
| Packaging      | Bag              |
| Content amount | 1 ST             |
| EAN            | 4024941962209    |
| Length         | 47.5 mm          |
| Width          | 75 mm            |
| Height         | 75 mm            |
| Weight         | 0.093 kg         |
| Volume         | 267.188 ccm      |
| Packaging      | Carton           |
| Content amount | 20 ST            |
| EAN            | 4024941959513    |
| Length         | 275 mm           |
| Width          | 175 mm           |
| Height         | 137 mm           |
| Weight         | 1.965 kg         |
| Volume         | 5,737.5 ccm      |



**18 MB 112**