

domestic panel mounting socket outlet, for use in mobile distributor systems - flange 75x75, fixing centers 60x60



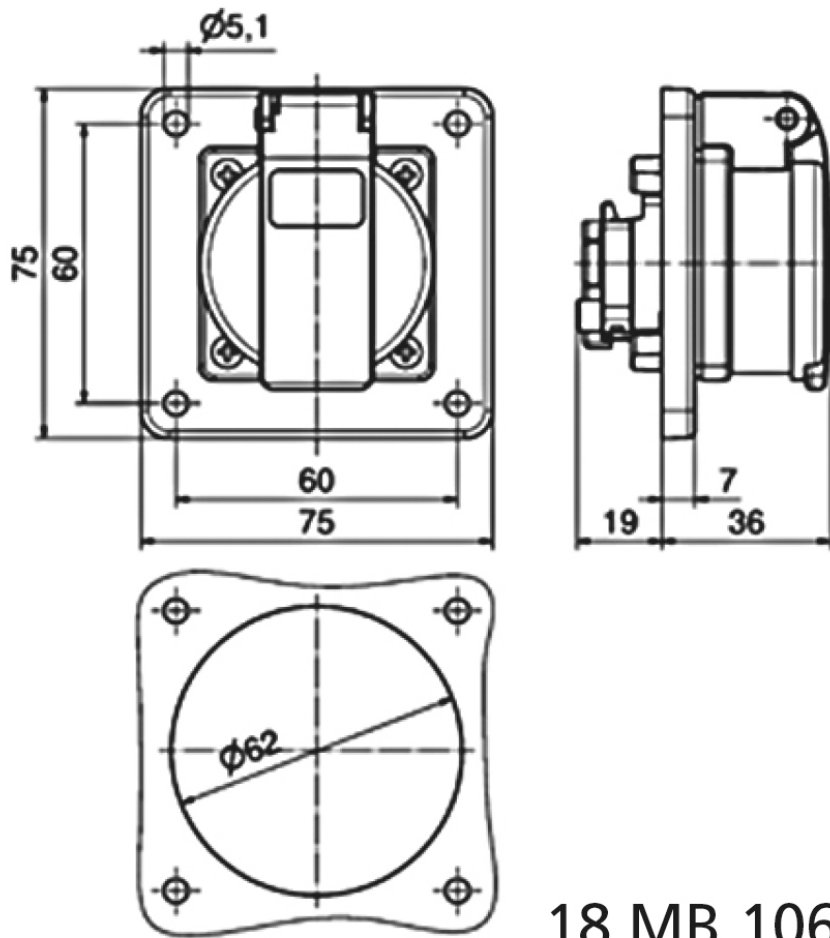
Product description	
BALS-Prd.-Nr	71115
EAN	4024941962308
Product category	Domestic panel mounting socket outlet Quick-Connect screwless push-contact System F German standard
Current	16A
Number of poles	3p
Arrangement of phases	2P+PE
Voltage	250V~
Frequency	AC

Product description	
Protection degree	IP54
Colour code	grey RAL 7035
Colour of appliance	Hinged lid grey RAL 7035, Enclosure grey RAL 7035
Connection design	screwless
Maximum conductor size	2,5 qmm
Cable entry	other
Height	75mm
Width	75mm
Depth	47.5mm
Flange size vertical in mm	75mm
Flange size horizontal in mm	75mm
Drill hole dist. vertical mm	60mm
Drill hole dist. horizontal mm	60mm
Material of enclosure	plastic
Contacts	The contact carrier is made of polyamide, the contacts are brass nickel plated

Additional technical information	
	For use in mobile distributor systems, The connection is rear, with german earthing system

Logistics data	
Weight/pcs	0.053 kg / Piece

Logistics data	
Packaging	Bag
Content amount	1 ST
EAN	4024941962308
Length	47.5 mm
Width	75 mm
Height	75 mm
Weight	0.054 kg
Volume	267.188 ccm
Packaging	Carton
Content amount	20 ST
EAN	4024941959438
Length	275 mm
Width	175 mm
Height	137 mm
Weight	1.185 kg
Volume	5,737.5 ccm



18 MB 106

