

Panel mounting socket outlet straight - flange 50x50 System E Belgian/French standard



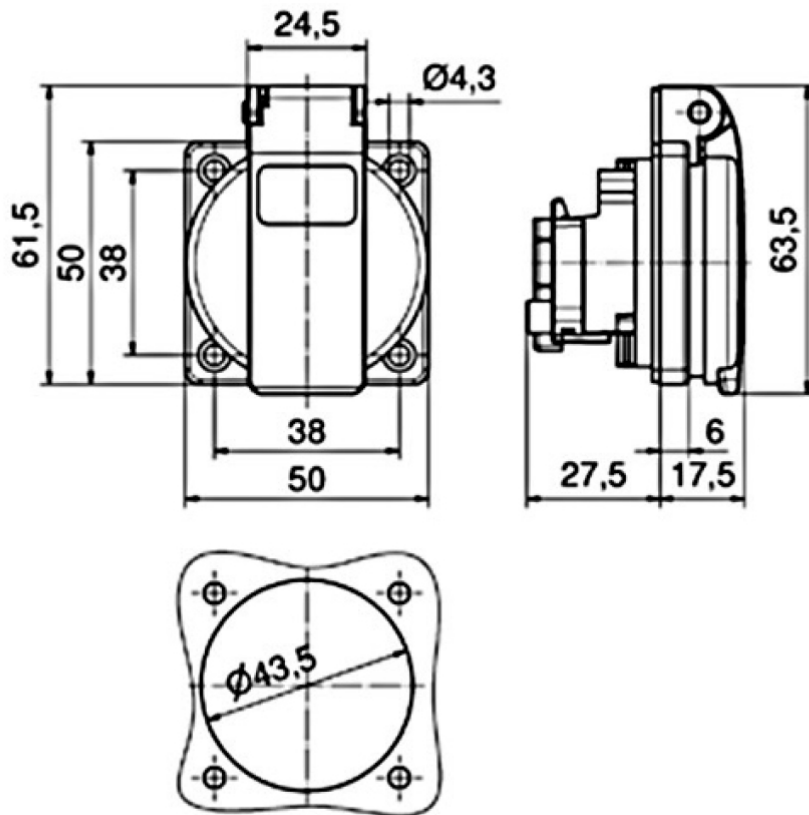
Product description	
BALS-Prd.-Nr	71119
EAN	4024941938259
Product category	Domestic panel mounting socket, QUICK-CONNECT screwless push-contact System E Belgian/French standard
Current	16A
Number of poles	3p
Arrangement of phases	2P+PE
Voltage	250V~
Frequency	AC

Product description	
Protection degree	IP54
Colour code	grey RAL 7035
Colour of appliance	Hinged lid grey RAL 7035, Enclosure grey RAL 7035
Connection design	screwless
Maximum conductor size	4,0 qmm
Cable entry	other
Height	61.5mm
Width	50mm
Depth	45mm
Flange size vertical in mm	50mm
Flange size horizontal in mm	50mm
Drill hole dist. vertical mm	38mm
Drill hole dist. horizontal mm	38mm
Material of enclosure	plastic
Contacts	the contact carrier is made of polyamide, the contacts are brass nickel plated

Additional technical information	
	The connection is rear, With earth contact Belgian/French standard

Logistics data	
Weight/pcs	0.061 kg / Piece

Logistics data	
Packaging	Bag
Content amount	1 ST
EAN	4024941938259
Length	45 mm
Width	50 mm
Height	61.5 mm
Weight	0.062 kg
Volume	138.375 ccm
Packaging	Carton
Content amount	20 ST
EAN	4024941835732
Length	276 mm
Width	174 mm
Height	80 mm
Weight	1.332 kg
Volume	2,808 ccm



18 MB 103