

## Panel mounting socket outlet straight - flange 75x75 System E Belgian/French standard

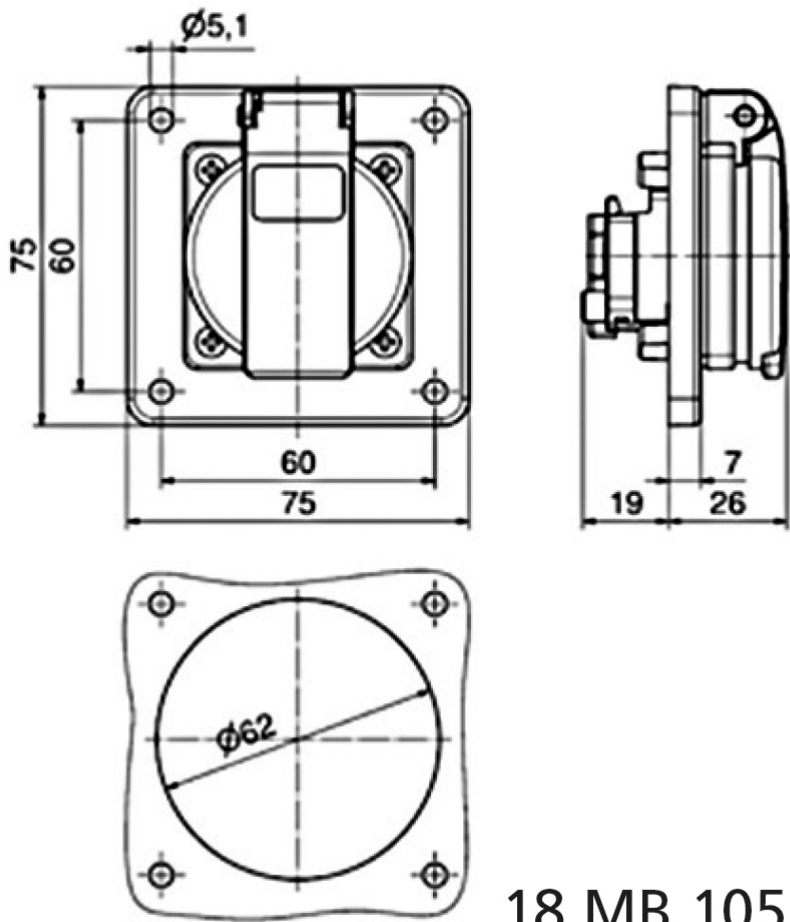


Product description	
BALS-Prd.-Nr	71121
EAN	4024941938273
Product category	Domestic panel mounting socket, QUICK-CONNECT screwless push-contact System E Belgian/French standard
Current	16A
Number of poles	3p
Arrangement of phases	2P+PE
Voltage	250V~
Frequency	AC

Product description	
Protection degree	IP54
Colour code	blue RAL 5015
Colour of appliance	Enclosure blue RAL 5015, Hinged lid blue RAL 5015
Connection design	screwless
Maximum conductor size	4,0 qmm
Cable entry	other
Height	75mm
Width	75mm
Depth	45mm
Flange size vertical in mm	75mm
Flange size horizontal in mm	75mm
Drill hole dist. vertical mm	60mm
Drill hole dist. horizontal mm	60mm
Material of enclosure	plastic
Contacts	the contact carrier is made of polyamide, the contacts are brass nickel plated

Logistics data	
Weight/pcs	0.093 kg / Piece
Packaging	Bag
Content amount	1 ST
EAN	4024941938273

Logistics data	
Length	45 mm
Width	75 mm
Height	75 mm
Weight	0.094 kg
Volume	253.125 ccm
Packaging	Carton
Content amount	20 ST
EAN	4024941835756
Length	275 mm
Width	175 mm
Height	137 mm
Weight	1.985 kg
Volume	5,737.5 ccm



18 MB 105