

# Panel mounting socket outlet straight - GB standard flange 50x50 System G UK standard



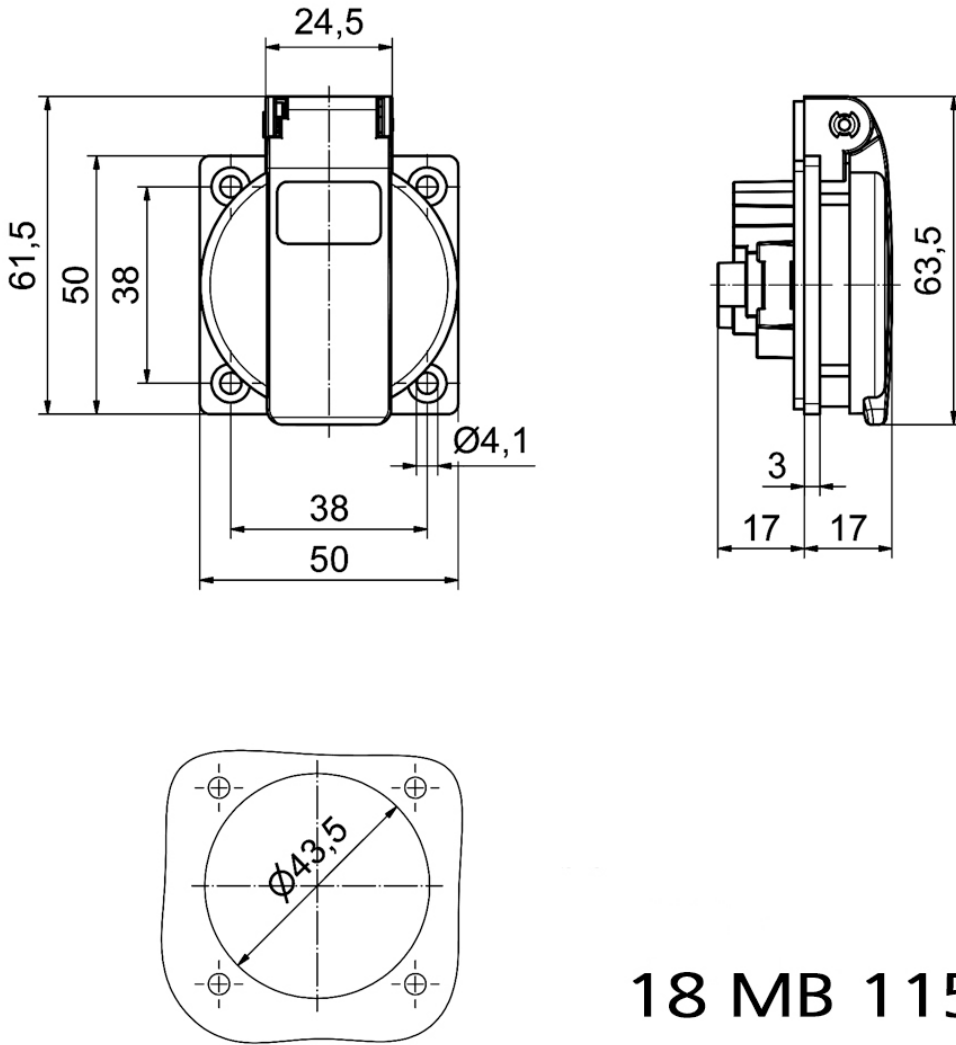
Product description	
BALS-Prd.-Nr	71142
EAN	4024941955683
Product category	Domestic panel mounting socket, System G UK standard
Current	16A
Number of poles	3p
Arrangement of phases	2P+PE
Voltage	250V~
Frequency	AC

Product description	
Protection degree	IP44
Colour code	blue RAL 5015
Colour of appliance	Enclosure blue RAL 5015, Hinged lid blue RAL 5015
Connection design	with screw terminal
Maximum conductor size	4,0 qmm
Cable entry	other
Height	61.5mm
Width	50mm
Depth	34mm
Flange size vertical in mm	50mm
Flange size horizontal in mm	50mm
Drill hole dist. vertical mm	38mm
Drill hole dist. horizontal mm	38mm
Material of enclosure	plastic
Contacts	the contact carrier is made of polyamide, the contacts are brass

Additional technical information	
	With GB standard

Logistics data	
Weight/pcs	0.072 kg / Piece

Logistics data	
Packaging	Bag
Content amount	1 ST
EAN	4024941955683
Length	34 mm
Width	50 mm
Height	61.5 mm
Weight	0.073 kg
Volume	104.55 ccm
Packaging	Carton
Content amount	20 ST
EAN	4024941786829
Length	275 mm
Width	175 mm
Height	137 mm
Weight	1.565 kg
Volume	5,737.5 ccm



# 18 MB 115