

TN panel mounted sockets domestic type - flange diameter 65x72, double fixing 58mm



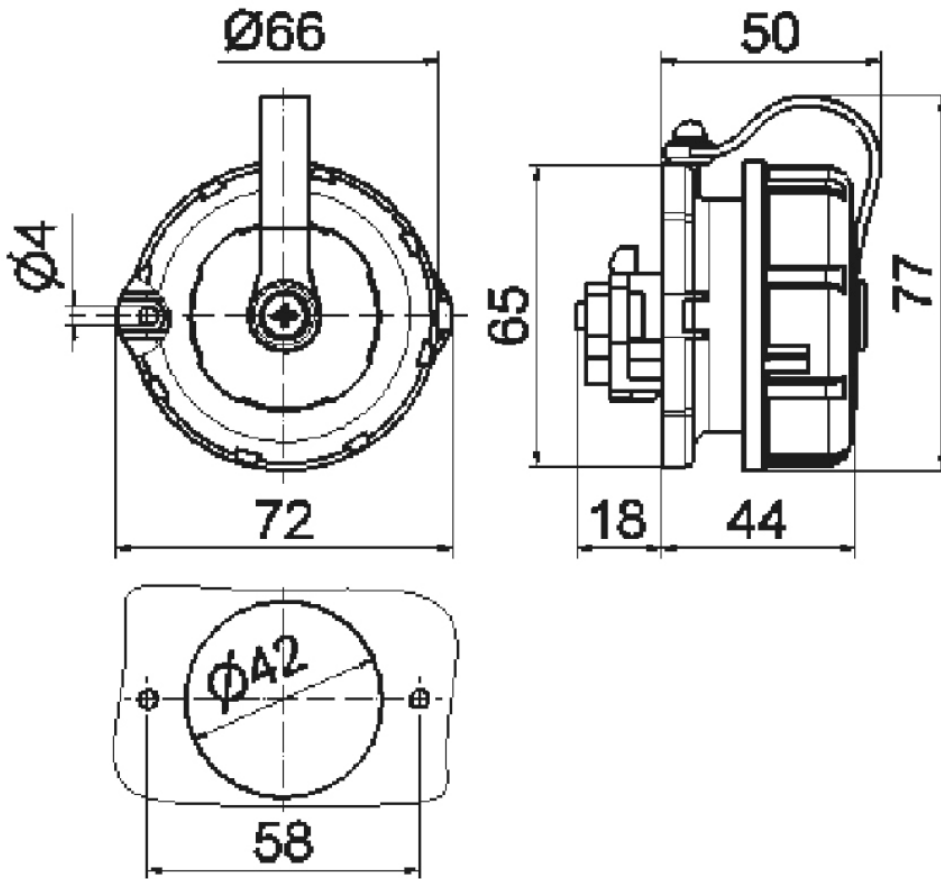
Product description	
BALS-Prd.-Nr	7115
EAN	4024941071154
Product category	TN domestic panel mounting socket outlet, straight, System F German standard
Current	16A
Number of poles	3p
Arrangement of phases	2P+PE
Voltage	250V~
Frequency	AC

Product description	
VG-type-no.:	VG 96926 BS 001
Supply no.:	5935-12-314-4770
Protection degree	IP68
Colour code	bronze-green RAL 6031-F9
Colour of appliance	Hinged lid bronze-green RAL 6031-F9, Enclosure bronze-green RAL 6031-F9, Bayonet ring bronze-green RAL 6031-F9
Connection design	head-screw terminal
Maximum conductor size	4,0 qmm
Cable entry	other
Height	77mm
Width	72mm
Depth	62mm
Flange size vertical in mm	65mm
Flange size horizontal in mm	72mm
Drill hole dist. horizontal mm	58mm
Material of enclosure	plastic
Contacts	The contact carrier is made of high temperature resistant material, the contacts are brass nickel plated

Additional technical information	
	The connection is rear, The flange is oval and has a two-point attachment of 58 mm, with german earthing system

Additional technical information	
	With bayonet cover on strap

Logistics data	
Weight/pcs	0.11 kg / Piece
Packaging	Bag
Content amount	1 ST
EAN	4024941071154
Length	62 mm
Width	72 mm
Height	77 mm
Weight	0.111 kg
Volume	343.728 ccm
Packaging	Carton
Content amount	10 ST
EAN	4024941840170
Length	207 mm
Width	162 mm
Height	142 mm
Weight	1.2 kg
Volume	3,750 ccm



18 MB 21