

panel mounting socket outlet, straight - flange 80x80,
fixing centers 54x54

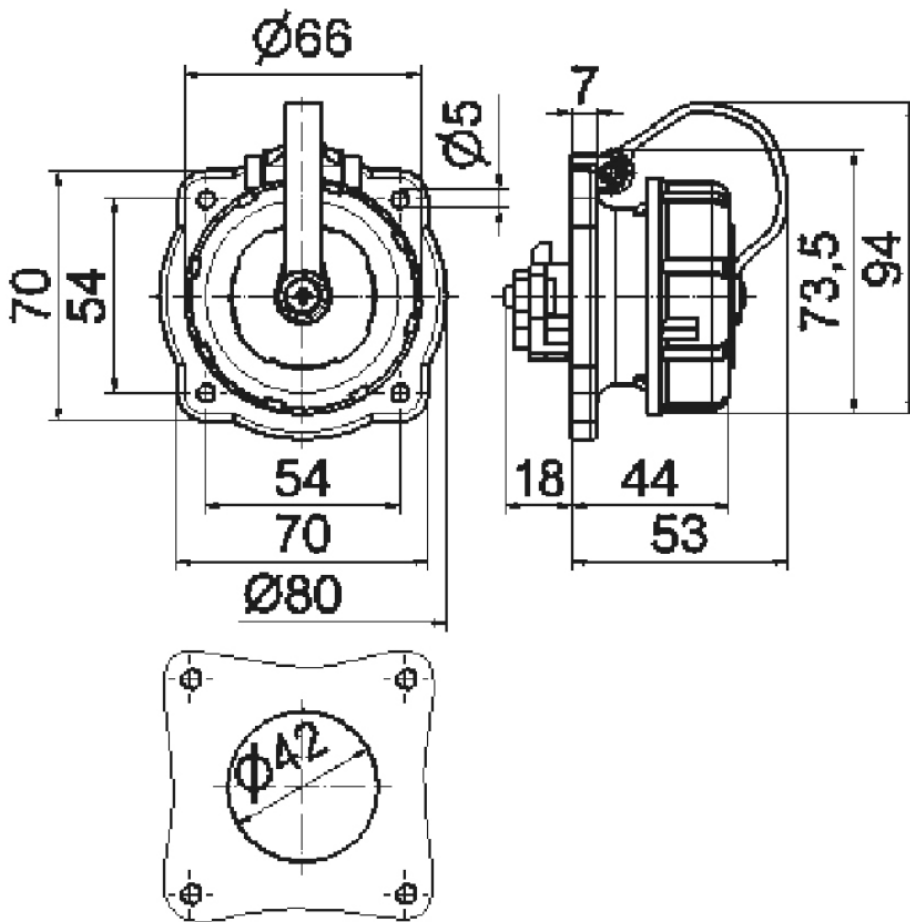


| Product description | |
|-----------------------|---|
| BALS-Prd.-Nr | 7117 |
| EAN | 4024941071178 |
| Product category | Domestic panel mounting socket outlet, straight, System F German standard |
| Current | 16A |
| Number of poles | 3p |
| Arrangement of phases | 2P+PE |
| Voltage | 250V~ |
| Frequency | AC |

| Product description | |
|--------------------------------|--|
| Protection degree | IP68 |
| Colour code | blue RAL 5015 |
| Colour of appliance | Hinged lid blue RAL 5015, Bayonet ring grey RAL 7035, Enclosure blue RAL 5015 |
| Connection design | head-screw terminal |
| Maximum conductor size | 4,0 qmm |
| Cable entry | other |
| Height | 80mm |
| Width | 80mm |
| Depth | 60mm |
| Flange size vertical in mm | 80mm |
| Flange size horizontal in mm | 80mm |
| Drill hole dist. vertical mm | 54mm |
| Drill hole dist. horizontal mm | 54mm |
| Material of enclosure | Polyamide |
| Contacts | The contact carrier is made of high temperature resistant material, the contacts are brass nickel plated |

| Additional technical information | |
|----------------------------------|-----------------------------|
| | The connection is rear |
| | With hammer symbol |
| | With bayonet cover on strap |

| Logistics data | |
|----------------|------------------|
| Weight/pcs | 0.136 kg / Piece |
| Packaging | Bag |
| Content amount | 1 ST |
| EAN | 4024941071178 |
| Length | 60 mm |
| Width | 80 mm |
| Height | 80 mm |
| Weight | 0.137 kg |
| Volume | 384 ccm |
| Packaging | Carton |
| Content amount | 10 ST |
| EAN | 4024941766197 |
| Length | 275 mm |
| Width | 175 mm |
| Height | 137 mm |
| Weight | 1.485 kg |
| Volume | 5,737.5 ccm |



18 MB 20